



CISM

CISM REGULATIONS

FOR AERONAUTICAL PENTATHLON 2025



Ville Rosenlund – FINLAND

Two – time individual World Champion – 2009/2010
Four – time team world champion – 2007/2008/2009/2010

APPROVED BY THE MAP PCSC ON 30 November 2024

TABLE OF CONTENTS

PREFACE	6
1- GENERAL REGULATIONS	6
1.1 - Organizing country	6
1.2 - Competition	6
1.3 - Schedule	7
1.4 - Composition of mission	7
1.5 - Competitors	7
1.6 - Teams	7
1.7 - Awards	8
1.7.1 - Flying Contest	8
1.7.2 - Sport Contest	8
1.7.3 - New Comer Award (Sport Contest)	8
1.7.4 - Care of trophies	8
1.7.5 - Trophies	8
1.8 - Juries	10
1.9 - Special conditions	10
1.10 - Official language	10
1.11 - Regulations	10
1.12 - Anti-doping controls	11
1.13 - Protest	11
2 - FLYING CONTEST	12
2.1 - General regulations	12
2.2 - Contest regulations	12
2.2.1 - General	12
2.2.2 - Aircraft and crew	12
2.2.3 - Officials and Technical Jury Flying contest	12
2.2.4 - Pre-flight briefing	13
2.2.5 - Mission documents	13
2.2.6 - Navigation data	14
2.2.7 - Preparation time	14
2.2.8 - Start-up and taxi	14
2.2.9 - Line-up and take-off	14
2.2.10 - Checkpoint 1 and 2	15
2.2.11 - Checkpoint 3	15
2.2.12 - Classification	15
2.3 - Flight Safety	15
3 - SPORT CONTEST	16
3.1 - General	16
3.2 - Numbers and starting order	16
3.3 - Results	16
3.4 - General individual classification	17
3.5 - General team classification	17
3.6 - Training	17
3.7 - Clothing	17
4 - EVENTS	17
4.1 - AIR PISTOL SHOOTING	17
4.1.1 - General	17
4.1.2 - Classification	17
4.1.3 - Penalties	17

TABLE OF CONTENTS

4.2 - SWIMMING	18
4.2.1 - General	18
4.2.2 - Obstacle	18
4.2.3 - Exit	18
4.2.4 - 5-meter run	18
4.2.5 - Classification	18
4.2.6 - Penalties	18
4.3 - FENCING	18
4.3.1 - General	18
4.3.2 - Classification	19
4.3.3 - Organization	19
4.4 - BALL CONTEST	19
4.4.1 - General	19
4.4.2 - Description of exercises	20
4.4.3 - Classification	21
4.4.4 - Special regulations	22
4.4.5 - Penalties exercise 1	22
4.4.6 - Penalties exercise 2	22
4.5 - OBSTACLE RUN	22
4.5.1 - General	22
4.5.2 - Classification	23
4.5.3 - Penalties	23
4.6 - ORIENTEERING	23
4.6.1 - General	23
4.6.2 - Classification	23
4.6.3 - Special regulations	23
4.6.4 - Organization	23
APPENDIX 1 - Flying Contest	24
APPENDIX 2 - Points Table Shooting: Air pistol - 10m	25
APPENDIX 2 - Penalty Table Shooting: Air pistol - 10m	26
APPENDIX 3 - Swimming Event Scoring table	27
APPENDIX 3 - Swimming Pool layout in 50m and 25m	29
APPENDIX 4 - Fencing Event Scoring Table	30
APPENDIX 5 - Ball Contest Court	31
APPENDIX 5 - Ball Contest Court	32
APPENDIX 5 - Ball Event Scoring Table	33
APPENDIX 6 - Obstacle run track and obstacles	34
APPENDIX 6 - Obstacle nr 2 - Double beam	35
APPENDIX 6 - Obstacle nr 3 - Trip wire	36
APPENDIX 6 - Obstacle nr 4 - Network of wires	37
APPENDIX 6 - Obstacle nr 5 - Ford	38
APPENDIX 6 - Obstacle nr 6 - Espalier	39
APPENDIX 6 - Obstacle nr 7 - Balance Beam	40
APPENDIX 6 - Obstacle nr 9 - Horizontal Beams	41
APPENDIX 6 - Obstacle nr 10 - Irish Table	42
APPENDIX 6 - Obstacle nr 11 - Tunnel and Twin Beams	43
APPENDIX 6 - Obstacle nr 12 - Four steps of Beams	44
APPENDIX 6 - Obstacle nr 13 - Banquette & Pit	45
APPENDIX 6 - Obstacle nr 14 - Assault Wall	46
APPENDIX 6 - Obstacle nr 15 - Pit	47
APPENDIX 6 - Obstacle nr 17 - Assault wall II	48
APPENDIX 6 - Obstacle nr 18 - Balance beam (zigzag)	49
APPENDIX 6 - Obstacle nr 19 - Chicane	50
APPENDIX 6 - Obstacle nr 20 - 3 Assault walls	51

TABLE OF CONTENTS

<i>APPENDIX 6 - Regulations for female</i>	52
<i>APPENDIX 6 - Obstacle run Event Scoring Table</i>	53
<i>APPENDIX 7 - Orienteering Event Scoring Table</i>	54
<i>APPENDIX 8 - JURY DUTIES</i>	55
<i>APPENDIX 9 - Records in MAP</i>	57
<i>APPENDIX 9 - CISM WORLD RECORDS</i>	59
<i>APPENDIX 10 – FORMS (Event start order form)</i>	62
<i>APPENDIX 10 - FORMS (COMPETITOR SCORE CARD) example</i>	63
<i>APPENDIX 10 - FORMS (COMPOSITION OF MISSION)</i>	64
 <i>REGULATION CHANGE HISTORY</i>	 65

Note: This symbol signals a change or addition to the 2017 rule.







CISM REGULATIONS

FOR AERONAUTICAL PENTATHLON

1 - GENERAL REGULATIONS

Commandant Edmont Petit, France, drew up the original rules in 1947. The regulations have gone through many changes since first draft to better conform with modern sports and equipment.

1.1. ORGANIZING COUNTRY

The organizing country is appointed at the General Assembly.

The organizing country has to deliver a Joint Report to CISM after the championship. The Joint Report consist of three (3) parts. Part 1 to be completed by the organizing country, part 2 by the PCSC and part 3 by OCR.

1.2. COMPETITION

The Competition is Military Aeronautical Pentathlon (MAP). MAP consists of the following Contests:

1. Flying Contest
2. Sport Contest

The Sport Contest consists of the following Events
Shooting Event
Fencing Event
Swimming Event
Ball Event
Obstacle run Event
Orienteering Event



Every competitor must take part in the whole sport contest.

The flying contest is, however, a special contest. If a nation for a certain reason (economy, flight safety, technical or similar) is not able to take part in the flying contest the nation nevertheless could be permitted to start in the Sport contest. The Nation in question need to address this matter to President CSC no later than 2 months before the Competition, PCSC will then decide as soon as practical.

If there are not a sufficient number of nations taking part in the flying contest or it is not possible to arrange the flying contest at the same time or in the same area as the sport contest, MAP can be organized without the flying contest. The decision will be made by the President CSC in cooperation with the organizing country.

Invitation to take part in the flying contest is distributed along with the ordinary invitation for MAP.

1.3. SCHEDULE

- 0 day:** Arrival of participants from other continents
- 1st day:** Arrival. Flying Contest meeting including flight safety briefing and if necessary, equipment fitting.
- 2nd day:** Flying Contest
- 3rd day:** Training, study and contest meetings (reserve day for Flying Contest)
- 4th day:** Shooting and Swimming event
- 5th day:** Fencing event
- 6th day:** Ball event
- 7th day:** Obstacle Run and Orienteering event
- 8th day:** Cultural day (if possible)
- 9th day:** Departure



1.4. COMPOSITION OF MISSION

- 1 Chief of mission
- 1 Team captain
- 1 Coach
- 4 Competitors Men
- 3 Competitors Women
- 1 Reserve Men
- 1 Reserve Women

See Appendix 10, Composition of Mission

The Organizer should include a Complete list of all participants in electronic version in the Joint Report.

1.5. COMPETITORS

The MAP World Championship is open to:

- Air force military officers /cadets on active duty
- other air crew officers (other service)
- other air force military personnel could participate if requested and authorized by the Aeronautical Pentathlon CSC prior to the competition
- at least 2 of the team members (of the seven (7) competitors named in the Composition of Mission Form in Appendix 10) must be educated in air navigation, both men and women are able to take part.

A class for women will be arranged if female athletes are attending, according to CISM rules.

1.6. TEAMS

Each male team consists of four (4) competitors and female team three (3) athletes. The reserve may be used, if necessary, before the first sport event starts. The names of all competitors and the reserve should be confirmed at the preliminary meeting. If a team for any unforeseen reason is reduced to three (3) competitors for male and two (2) for female, during the sport contest, it is still authorized to compete as a team. If it is further reduced, the remaining competitors may continue in the individual sport contest.

Participants for the flying contest will be chosen (by drawing of lots by the PCSC) from each nation's team/s including the confirmed reserve/s.

A separate reserve sport contest should be arranged. Depending of the number of attending reserves, the contest may be excluded. The final decision will be made by the President of CSC, (PCSC), in cooperation with the organizing country.

The organizing country may permit more than one (1) reserve to take part in the reserve sport contest if requested.

The contest for reserves should be arranged before the main contest in the different events except for the first event.



1.7. AWARDS

1.7.1. FLYING CONTEST

Official CISM medal will be awarded to each of the first three in the individual classification of the flying contest

A cup for the best nation is given. It can not be permanently retained by any nation regardless of how many times the cup is won. The General Assembly decides which nation is the final owner of the cup, if MAP should not continue. If a flying contest is not organized for one year, the cup is to be sent to the CISM General Secretariat and kept there until further notice. Before the next championship where a flying contest is arranged the cup shall be dispatched to the organizing country.

1.7.2. SPORT CONTEST

Official CISM medals will be awarded to:

- each of the first three in the individual classification of the Sport contest (men/women)
- each member of the three first teams (men/women)

The winning team in men competition is awarded the MAP trophy.

The winning team in female competition is awarded the Women's Military Aeronautical Pentathlon Challenge Cup.

Other awards such as cups, medals or souvenirs are given by the decision of the organizing country.

1.7.3. NEW COMER AWARD (SPORT CONTEST)

The ROOKIE OF THE YEAR trophy will be awarded to the best athlete (highest individual total points), taking part in a MAP World Championship for the first time, male or female.

The three (3) best (highest scores) New Athletes, male or female (competing for the first time in World Championship) should be presented during the award ceremony and their performances should be announced.

1.7.4. CARE OF TROPHIES

In the year between the championships the last winners keep the trophies. The safekeeping and maintenance of the trophies lay with current keepers. Expenses of engraving and keeping are charged to the country which keeps it that year. The trophy must be engraved and maintained to full standard before handed over to the next organizer.

Before the next championship is arranged the trophies shall be dispatched to the organizing country no later than the day of arrival for that championship, no matter if the Nation holding the trophy is taking part or not.

None of the trophies can be permanently won by any Nation or person, regardless of how many times the cup has been won.

If MAP should not continue, The General Assembly will decide which nation will be the final owner of each cup. Generally the trophy will be handed to the Nation with the most wins of each trophy, except the Rookie of the year award, which will be kept by the last winner.

1.7.5. TROPHIES

Flight Contest Trophy – Double Victoire de Samothrace, made by Salvator Dalí.

A trophy for the best nation is given by Belgium Delegation to CISM in 2012, in substitution of the trophy given by the Aéroclub de France. The "Double Victoire de Samothrace", is a sculpture made by Salvador Dalí, in bronze with brown patina and placed over a pedestal of marble. Presenting a total height of 23 cm. the sculpture was founded by Venturi Art in 1973 under the number 1338 from a total of 2000. This sculpture is a reference to the statue Victory of Samothrace which is a Greek sculpture from the Hellenistic period of the goddess Nike, the personification of victory, placed on the front of a ship. She is now in the Louvre Museum as one of the main attractions.



MAP Trophy

The MAP trophy, an artistic piece in silver, gold plate and marble, designed and created by the Puiforcat Jewelry Co. The trophy is given by the French Ministre de l'Air, in the name of Commandant Edmond Petit, creator of the contest in 1947.



The Women's Military Aeronautical Pentathlon Challenge Cup.

The Women's Military Aeronautical Pentathlon Challenge Cup is the official MAP Female permanent trophy offered by the Brazilian Air Force Sports Commission in 2013.

The statue represents a wing lady supporting the globe. The symbolism reminds to a current and unmatched concept of the Goddess of Nike (Nice) in the Greek mythology. She personifies strength, speed and victory. For the Military Aeronautical Pentathlon, it represents a military woman, well-shaped, with modern wings referring the air vectors and all Air Forces. The lady is holding the Earth globe, which represents the integration of people, as well as the spirit of peace, friendship and mutual understanding.

The statue was manually carved, cast in bronze and silver plated. The base of the statue was shaped in a pentagram format. Each face has the Military Aeronautical Pentathlon disciplines represented by black vinyl; laser cut pictograms pasted on it.

The piece is placed over a base made of a typical Brazilian wood, named Taurá (Couratari spp., Lecythida- ceae). The base is lacquered in black, and each face has four semi-metal plaques measuring 5,5x3 cm each, where the name of the winning female team and country will be printed on. The entire piece is 52 cm height x 12,5 cm length.



Rookie of the year award

The Rookie of the year award is the permanent official MAP trophy, donated by Capt. Peter Carlsson of the Swedish Air Force 2014.

The award is given to acknowledge the great performance of the athlete who participates in a World Championship for the very first time, male or female. It will be presented to that athlete getting the highest total score points.



(Capt. Peter Carlsson was an athlete between 1989–2006, CSC secretary since 2006 and President CSC during 2010–2011. His merits in MAP are 3 times Individual World Champion and 6 times Team Champion.)

1.8. JURIES

The Organizer should attach the Reports on a protest + decision of the Technical / Appeal Jury (+ money when necessary) to the Joint Report.

See Appendix 8.

1.9. SPECIAL CONDITIONS

The organizing nation:

- Issues an invitation to take part in MAP according to the CISM Regulations of Procedure.
- If the flying contest is not organized, it should be specially mentioned.
- Arranges referees for each event (international if possible).
- Appoints a General Secretary of the Competition (GSC).

Time for a preliminary meeting is announced in the invitation according to CISM rules, preferably as soon as possible after all nations have arrived.

After the organizer has received the preliminary entry forms, the organizing country should provide the participating nations with a package of information containing at least.

- a map, indicating the scale and being typical for the area of the orienteering event and also a legend of the symbols in English.
- the special regulations about the arrival of delegations
- information about the flying contest. To include a map over the area scale 1:500 000 or similar, information about the aircraft (speeds for min, max and cruise)
- the length of the swimming pool and the running direction along the edge of the pool (left hand or right-hand circuit)
- description of the obstacle course

Together with the actual entry forms the participating countries must send a statement proving that the team members are authorized to take part. See paragraph 1.5 Competitors.

The Organizer must follow CISM regulations to make sure all competitors have the same conditions to perform during the entire Championship (same lodging, food, transport and training for all). The Organizer will during the Championship set up a service point where the communication between the Organizing Committee (OC) and Missions can be made easy. Mission can put in requests and hand in forms, OC shall provide information like Start lists, Transportation schedules and results etc.

The Organizer must prepare for the PCSC inspection of the orienteering courses upon his arrival (or the person he appoints to perform the check). The inspection includes the planned layout of Start and Finnish area, male and female course to be checked with the map and checkpoints, medical, water and media positions.

1.10. OFFICIAL LANGUAGE

English is the official language used in MAP.

1.11. REGULATIONS

The official version of the Regulations to be used is the English version available in CISM homepage. The MAP CISM Sport Committee secretary is responsible for keeping to the regulations.

The nation in charge of organizing the MAP championship is responsible during the championship for the availability of all necessary and updated regulations to the missions.

The MAP CISM Sport Committee, CSC is in charge of updating the MAP rules by the following procedure:

1. Changes/proposals must be sent to the PCSC at least three (3) months before World Championships,
2. CSC sends changes/proposals to each mission to be checked two (2) months before championships,
3. Changes/proposals are discussed in an enlarged CSC meeting during the championships,
4. Decisions are made in a CSC meeting during the championships,
5. PCSC consults with the CISM Secretary General,
6. CSC updates and sends the new edition of the rules to all missions and CISM.

Any cases regarding regulatory issues will be decided by the Technical Jury and must be followed by the organizer. The Technical Jury can divert from actual regulations and change the plans made by the organizer if necessary.

1.12. ANTI-DOPING CONTROLS

Doping is defined as:

- the presence of prohibited substances or its metabolites or markers in an athlete's bodily specimen,
- the use or the attempted use of a prohibited substance or a prohibited method,
- the refusing or failing without compelling justification to submit to sample collection after notification.

Doping, according to this definition, is strictly forbidden in CISM, and especially in Aeronautical Pentathlon.

At least at each CISM Military World Aeronautical Pentathlon Championship, if possible, also at other major events, anti-doping controls will be carried out according to the latest CISM Anti-Doping Regulation (Chapter IV, CISM Policy Manual) which is fully in line with the Anti-Doping Code of WADA.

For the entire Aeronautical Pentathlon and in addition to the aforementioned anti-doping regulations, the latest anti-doping regulations of the following international federations will be consulted when necessary:

- **ISSF** : International Shooting Sports Federation (shooting)
- **IOF** : International Orienteering Federation
- **FINA** : Fédération Internationale de Natation (Utility Swimming)
- **FIBA** : International Basket-ball Federation
- **FIE** : International Fencing Federation
- **FAI** : The World Air Sport Federation

The operative responsibilities of the anti-doping controls will lie with the Anti-Doping Commission formed for the considered event. The composition and tasks of this commission are defined in the CISM Anti-Doping Regulation

At the World Military Aeronautical Championship, at least 5 tests will be carried out without considering world records.

The list of prohibited substances and methods used for the anti-doping testing in CISM events will always be the actual WADA list.

Anti-doping

The anti-doping tests and procedures shall be carried out according to the CISM and WADA anti-doping regulations.

The number of tests and minimum level of analysis should follow the Test Distribution Planning (TDP) issued by CISM General Secretariat and posted on the CISM website annually.

In case an athlete has a Therapeutic Use Exemption (TUE), the Chief of Delegation should send this TUE to the CISM GS until 30 days before the Opening Ceremony. This TUE will be submitted to the TUE Commission for analysis and further approval.

In accordance with CISM Regulations and related CISM Sports Regulations all new world record holders must be submitted to an Anti-Doping test in order to validate their new record. Organizing Committees should provide extra Anti-Doping Kits to fulfill this task, if necessary.

The Organizer should attach to the Joint Report the following documents;

- Record sheets of each athlete tested.
- Copies of the medical certificates presented by the athletes (when occurred).
- Complete address of the Laboratory (IOC/WADA Accredited) and name of the responsible doctor.

1.13. PROTEST

See Appendix 8.



2 - FLYING CONTEST

2.1. GENERAL REGULATIONS

The contest consists of a timetable low-level navigation and is carried out on a triangular route. The legs and the three corners (here called checkpoints) should be suitable for testing the skills of the participants in:

1. Preparation of the mission
2. Low-level navigation
3. Timekeeping

The flying contest is organized if the Host Nation/competition organizer has enough resources to provide a sufficient number of two-seater aircraft and English-speaking pilots to allow the participation of all participating countries with at least one competitor. The flight contest is a mixed competition where men and women could participate together and one against the other.

The competitors (the seven named competitors according to Composition of Mission form), no matter man or woman, participate only as navigators. Each aircraft is flown by the Host Nation/competition organizer pilot, who executes the instructions of the competitor regarding navigation and timekeeping in the best possible way. The Host Nation/competition organizer pilot always maintains full command and takes any action or measure necessary to abide by the national regulations or to safeguard the flight. The Pilots will be appointed by drawing of lots.

At least two (2), maximum four (4), competitors from each Nation may participate in the preparation of the flight.

All members of participating missions should attend the Flying Contest. No sport training facilities should be open for non participants. For this reason the Organizer should prepare an area for all missions where they can follow the Flight Contest (in real-time if possible), the area must not interfere with the planning area for the competitors.

2.2. CONTEST REGULATIONS

2.2.1. GENERAL

Each competitor flies a triangular route of about 40 minutes at an altitude determined by the Host Nation/competition organizer adhering to the national regulations. A constant altitude of 600 ft (+/- 150 ft) is recommended if allowed.

It is also recommended that this route begins and finishes at the airfield where the MAP competition takes place. If it



is not possible, this should not be an obstruction to arrange the flying contest.

If possible, performance at checkpoints and timing should be checked by video, radar, etc. The use of GPS or other equipment to check timing and displacement is allowed, (only for the organizer).

The chief referees posted at the checkpoints make a final judgement and fill in a form which shall be signed by the chief referee and the other supervisors and then handed on to the Air Secretary.

The Host Nation/competition organizer provides this form. Basic rules for the judgement shall be clearly defined by the Host Nation/competition organizer and briefed to the crews during the pre-flight briefing.

2.2.2. AIRCRAFT AND CREW

Navigation equipment related to ground or space systems must not be used, except in case of emergency. The Host Nation/competition organizer is free to determine how this rule is followed. However, the PCSC and all participants have to be informed by the Host Nation/competition organizer what rules are applied and which measures are taken.

If a flying contest is offered, this is mentioned in the invitation including information on the aircraft type and speed to be used. Any vital information/instruction concerning flying as a navigator on the aircraft type must also be included (e.g. if personal equipment needs to be provided by the participants). A maximum of four participants per nation are allowed in the planning and preparation phase.

If the Host Nation/competition organizer is unable to provide all participants with aircraft-specific flying equipment, a designated participant and a reserve are to be assigned to take part in the drawing of lots.

All participants must be able to communicate in English and must be qualified in (military) aeronautical navigation.

2.2.3. OFFICIALS AND TECHNICAL JURY FLYING CONTEST

The Host Nation/competition organizer is responsible for control activities and the Technical Jury Flying is responsible for supervision.



The organization shall include:

Preparations

- 1 Supervisor from Host Nation/competition organizer
- 1 Supervisor from Technical Jury Flying

Take-off

- 1 Chief referee from Host Nation/competition organizer
- Assistants as needed from Host Nation/competition organizer
- 1 Supervisor from Technical Jury Flying

Checkpoints

- 1 Chief referee from Host Nation/competition organizer
- Assistants as needed from Host Nation/competition organizer
- 1 Supervisor from Technical Jury Flying

A Technical Jury Flying is composed of the following members:

- Air Secretary, appointed by the Host Nation/competition organizer (chairman)
- Assistant Air Secretary, appointed by the Host Nation/competition organizer
- 5 persons elected from participating missions appointed by the PCSC.

The jury takes care of any problem concerning the flying contest and meets whenever called for.

The jury decides which members of the jury that supervise the contest at the checkpoints.

2.2.4. PRE- FLIGHT BRIEFING

The day before the flying contest, a briefing on the aircraft systems and national regulations is held at a time agreed by the CSC and participating nations.

On the day of the flying contest, a pre-flight briefing takes place at a time decided by the Host Nation/competition organizer. The pre-flight briefing is held in English. It is mandatory to do a TIME HACK during the pre-flight briefing.

There should also be a device showing the Contest Master Time.

The following items must be covered at the minimum:

- Weather briefing
- Take-off times for each crew
- Runway in use
- Confirmation of the composition of the teams
- Flight safety rules
- Judgement criteria
- Miscellaneous (changes, etc)

2.2.5. MISSION DOCUMENTS

To ensure the same amount of preparation time for all crews, each crew receives a sealed envelope with mission documents as stated below at a predetermined time before each slot time. Individual extra time for transportation to the different places of aircraft's can / should be added.

Crews are allowed to bring with them plotters, rules, and any other traditional planning tool, even simple traditional calculators, but they are not allowed to use any electronic planning tool.





The following items are provided by the Host Nation/competition organizer:

- flight diagram with headings on each leg, checkpoints designated in long./lat. and empty squares to state times over checkpoints 1 and 2.
- complete set of maps, set normally consists of at least one map for the route, scale 1:1,000 000, 1:500 000 or similar and, if possible, one map for each checkpoint, scale 1:100 000 or similar
- extra map to be prepared for the pilot flying
- vertical and/or oblique photographs of each checkpoint, true north must be marked on each item
- The passing time of finish line will be decided by the organizer
- TIME TABLE FORM, stating Time for TAKE OFF and FINISH TIME signed by the organizer.

2.2.6. NAVIGATION DATA

The Host Nation/competition organizer provides official time on a reference chronometer (clock) which shall be available both the day before and the day of the contest in the briefing room.

The navigation shall be computed in the following way:

- timing is kept at 0,1 seconds
- headings stated on the legs, are computed from the middle of the runway in use, via checkpoints 1 and 2 and back to the middle of the runway in use
- IAS (Indicated Air Speed) as given
- Any additional time for take-off, acceleration and turns have to be provided by the organizer.

The ideal time over checkpoints 1 and 2 is calculated by the crew and handed over to the Host Nation/competition organizer before leaving the preparation room.

The competitors are not required to file any flight plan.

2.2.7. PREPARATION TIME

The day before the contest the jury should meet to examine and approve the mission documents and to decide on the maximum time allowed for planning and preparation of the mission by the teams. Preparation time starts when the mission data is given to the team and the preparation time stops before start up and taxi procedures. Normal preparation time is 90 min.

At the end of Preparation Time, the TIMETABLE FORM should be already signed by the crew and handed in to the organizer. Failing to hand over the form in time will be penalized with 200 MAP points.

At step time crew should be given the updated/latest weather report by the organizers.

2.2.8. START- UP AND TAXI

The time needed for start up and taxi procedures is given by the organizer, in order to assure that the competitor have possibility to be at the holding position at the runway at least 2 minutes before the mandatory take-off time. Before entering the aircraft both the aircraft and crew will be inspected by a Supervisor from the Technical Jury.

2.2.9. LINE- UP AND TAKE- OFF

The control tower gives clearance to line up and take off 2 minutes before the mandatory take-off time. Surface wind is also given.

No further orders/clearances are given for take-off except in case of an emergency. The competitor is responsible for starting take off at the mandatory time.

Take-off performed too early or too late is penalized.

If a crew is more than 3 minutes off the scheduled take-off time, the mission is cancelled, and the aircraft has to return to the apron. If the delay was caused by a technical reason, the Air Secretary may, if possible, reschedule the mission.

Calculation of points See Appendix 1.





2.2.10. CHECKPOINTS 1 AND 2

Purpose: Checking the accuracy of the navigation.

The checkpoint shall be a characteristic landmark, e.g. a bridge, a railway crossing, a crossroad. The checkpoint must be passed;

- < 30° off the heading of legs 1 and 2
- on a constant heading from a distance of 2 km (see appendix 1)
- at the briefed altitude
- At the stated time and overhead the checkpoint (see appendix 1)

No military vehicles shall be kept in the vicinity of the checkpoints. Calculation of points See Appendix 1.

2.2.11. CHECKPOINT 3

Purpose: Checking the ability to keep to the timetable.

The finish is defined as a line of at least 1000 m in length. It shall be clearly defined by the organizer and visible enough for the crew to mark on the map and see from the air: e.g. a taxi strip, the limitation of a runway.

A runway edge of an active runway is not suitable to use for checking the time at passing of the aircrafts, edge of a road or taxiway should be used. The checkpoint must be passed:

- < 45° off the heading of leg 3
- on a constant heading from a distance of 3 km
- at the given altitude.

The crossing takes place at the moment when the aircraft's nose cuts the finish line.

Three timekeepers check the moment of crossing, correct time is the average of the timekeepers' clocks.

Calculation of points
See Appendix 1.

After engine shutdown at the apron, the aircraft and crew will be inspected again and also they must handover all mission documents to the Technical Jury

2.2.12. CLASSIFICATION

The best crew is the one with the highest total score.

A crew that has passed only one checkpoint, even if no points were scored, is placed in front of the crew that has not been seen at any of the checkpoints.

Tie: In case of a tie the best crew is the one that gets the highest score at the checkpoints in the following order: 3, 2, and 1.

The Results should be displayed at the public area showing the preliminary results as they get reported.

Any use of unauthorized equipment by a crew will lead to disqualification.

2.3. FLIGHT SAFETY

Weather

The contest takes place only if Visual Flight Rules (VFR) can be maintained during the whole flight, i.e. flight visibility/ cloud base is > 5 km/1000 ft GND or local rules whichever is more restrictive. Every crew shall provide an in-flight report whenever the weather is below limits anywhere in route. A weather update should be given at step time.

Air traffic

The Host Nation/competition organizer publishes a NOTAM in due time to announce an exercise area for the contest. If possible, one radio frequency is used for take-off and landing and another radio frequency for in route.

Emergency

In case of an emergency, the crew must be able to use onboard nav aids and to call for any assistance required. Normally this means disqualification, but the Technical Committee can decide on any other action.

Cancelling

The national military and civil regulations of the organizing country always prevail over the contest regulations. Therefore, the Air Secretary independently decides whether or not to run the flying contest.



3 - SPORT CONTEST

3.1. GENERAL

The following International Sport Regulations will be applied. Any exception to, or not covered by these International rules, is stated in event regulation text.

- ISSF : International Shooting Sports Federation
- IOF : International Orienteering Federation
- FINA : Fédération Internationale de Natation
- FIBA : International Basket-ball Federation
- FIE : International Fencing Federation
- FAI : The World Air Sport Federation

Any exception or modification to the rules above will be stated in the text for each event.

The CSC shall verify the referee procedures and the venue condition in the 3rd day (during training, study and contest meetings), allowing the Organizing Committee to rectify the procedures and adjust the venues, if possible.

Only the competitors are allowed in the competition area during each Event, except in the Fencing Event where 1 member of the mission, per team (female/male), can give coaching to their athletes.

3.2. NUMBERS AND STARTING ORDER

- No later than the day before the first event each competitor is given a Start Number. Each competitor keeps his Start Number for the whole duration of the contest.
- The organizer should provide a Start Number to be worn for all events except swimming and obstacle run. The Start Number must display the athlete's allocated number for that Championship, family name, initial and nation (IOC abbreviation only). If a flag of the nation is used, it must be placed to the left of the IOC abbreviation. The height of the letters in names should be as big as possible, but no letters or numbers may be less than 20 mm.
- The day before the first event, lots are drawn to determine the nations starting order. The starting order will apply for all events.

The circulation list for team meetings in fencing must be published before lots are drawn.

The day before each event by 1500 hours the team captain shall inform the organizer of the order of the competitors in each particular event. The organizer provides a simple form for each event to be filled out and handed back by each Nation at the stated time (or earlier).

In swimming, the order of competitors is informed accordingly to the supposed swimming times: the best is placed last. In ball event it shall state what circuit the competitors will use (clockwise or counterclockwise circuit).

In obstacle run and orienteering the starting order is determined by drawing of the lots within the teams. This drawing of lots is prepared by the organizer and performed by the Jury.

3.3. RESULTS

Four classifications are established:

- a general individual classification for men
- a general individual classification for women
- a general team classification for men
- a general team classification for women

If a competitor quit the contest, he/she maintains the points of every event completed by him/her. These points remain valid for individual and team final results. If a competitor is expelled from the contest, all his results are deleted.

Results during all events should be displayed for athletes and public during the whole events and show the preliminary results as they are reported. For instance on a big screen tv or through a picture projector. Results must be viewable for the competitors so errors can be detected and protest avoided.

The Organizer should attach a Complete book of results with the Joint Report and also any Request for the ratification of a CISM World Record (when necessary).



3.4. GENERAL INDIVIDUAL CLASSIFICATION

The general individual classification is obtained by adding the points scored by each competitor in each of the six (6) events, and then remove the points for the event with the lowest score. The winner is the one with the most points. In case of a tie, the respective classification of competitors depends upon the points won in the 6th event (the deleted event).

3.5. GENERAL TEAM CLASSIFICATION

The final score for male team is the sum of the three best individual results from each team. In case of a tie, teams are separated by the classification of the 4th member of the team.

The final score for female team is the sum of the two best individual results from each team. In case of a tie, teams are separated by the classification of the 3rd member of the team.

3.6. TRAINING

The competitors shall have the opportunity to train at the facility used for the events except for orienteering. If possible, the organizer should keep all competition venues open for training from official arrival date until the competition is over. During the official training day the organizer should have the officials for each event on the floor.

Competitors which take part in the flying contest will be entitled to have as much training time as competitors which does not take part in the flying contest. No training is allowed during the Flying Contest!

3.7. CLOTHING

Clothing according to the International Sport Regulations that applies for each event. Appropriate clothing for wear during competitions includes training suits, tracksuits or warm-up uniforms, etc. as issued by National Federations.

- Competitors within each team should use the same kind of clothing.
- National markings should be worn.
- Start Number must be worn in all Sport Events except Obstacle Run and Swimming.

4 - EVENTS

4.1. AIR PISTOL SHOOTING

4.1.1. GENERAL

During the official training day the organizer should arrange for weapons testing and checking of equipment. The athletes must have their weapons and equipment checked and tested at this time. In case of any repairs or changes made after this time there should be possible to check weapons and equipment at the site on the competition day.

The rules surrounding the Shooting Event follow the ISSF rules. Safety flags are mandatory during International Competitions.

Preparation time 3 minutes followed by Warm-up time of 5 minutes. During Preparation Time the discharge of gas in air pistols is not allowed.

During the Warm-Up time the competitor can fire any desired amount of shots on each or any of the provided sighting targets, (organizer should provide minimum 2 targets).

There shall be twenty (20) shots fired on command, 40 seconds per shot, 1 shot/target if paper target are being used. Time for LOAD is 10 seconds.

The score will be recorded but not announced after each shot.

After each heat there will be a number of random checks of weapons, competitors and equipment.

All types of coaching while an athlete is on the firing line during competition are forbidden. While on the firing line, an athlete may speak only with Jury Members or range officials.

Coaching during training is permitted, but such coaching must not disturb other athletes.

4.1.2. CLASSIFICATION

For Event points see Appendix 2. In case of a tie for the Event victory the classification is done according ISSF regulations for separation but there will be no shoot-out.

4.1.3. PENALTIES

See Appendix 2.

Any unspecified cases shall be first submitted to the Jury (see Appendix 8)



4.2. SWIMMING

4.2.1. GENERAL

See FINA Rules.

The contest is over a swimming distance of 100 m composed of:

- 50 m with a diving start from the edge of the pool and an exit (see 4.2.3) over the edge of the pool
- approximately 5 m (see 4.2.4) to be run along the bank of the swimming pool on a non-slippery surface in order to change a lane
- 50 m with a diving start passing under 2 obstacles. (A competitor is allowed to touch or seize the obstacle) swimming by an optional style

The event takes place in an outdoor or indoor swimming pool of 50 or 25 m. Lanes to be swum are separated by floating lane ropes.

If possible, two competitors from different teams start at the same time.

It is mandatory that the starting order within each Nation is provided in order with the best swimmers last see 3.2.

The Warm-up area is open to competitors and other members of each delegation.

4.2.2. OBSTACLE

The competitor is allowed to swim under the obstacle in free style, allowing the competitor to touch and seize the obstacle. The obstacle must be passed lengthwise under the whole obstacle. In case of swimming under the water but outside of the boundaries of the obstacle the competitor will be penalized.

Description of the obstacle is in appendix 3.

4.2.3. EXIT

The competitor is allowed to seize or touch anything on his way to facilitate his climb. The exit is made on a smooth wall in a place where the depth of the water is at least 1 m. The difference between the water surface and pool edge is normally a maximum of 40 cm.

4.2.4. 5-METER RUN

The distance to be run to change lane shall be distinctively marked. A competitor may run to the right or left, at the organizer's discretion. During the 5-meter run along the edge of the pool, the competitor is allowed to touch or seize anything in his path. The distance of 5 m should normally be measured by the pool wall. The competitor may re-enter the water only after having passed the end of the 5-meter zone (see appendix 3).

CLASSIFICATION

Classification according to appendix 3.

4.2.5. PENALTIES

The competitor is penalized by an additional time of 2 seconds:

- for each initiated meter not swum under the obstacle
- for diving into the water before passing the end of the 5 meter zone.

After the 1st and 2nd false start the competitor will be recalled by a whistle-signal and, if possible, a rope.

The competitor making the 3rd false is disqualified and receives no points for the event. This rule is observed regardless of the fact that the competitor in question has made no false starts before.

Any unspecified cases shall be first submitted to the Jury (see Appendix 8).

4.3. FENCING

4.3.1. GENERAL

See FIE Rules.

The competitors name is not mandatory to be printed on the back of the fencing jacket, it is sufficient if the competitor wear the Start number on his/her back.

The event should be held indoors and is preferably completed in one day. However, the total fencing time may not exceed twelve hours a day. Despite of this every effort should be made to reduce the total fencing time without breaking the normal forms of fencing competition.

- food and beverages must be served without interrupting fencing.
- a very disciplined preparation before the matches is required. Competitors must be in a readiness close to the pist. Equipment must be in order and controlled, electrical equipment connected.
- all available pistes and referees shall be used. A team



may be called to compete on two or more pistes at the same time (to reduce the total fencing time).

Every pist should be covered with an isolating carpet. During the event the results scored are continuously registered on a scoring board, which shall be visible to both competitors, team captains and spectators.

A warning is given according to the FIE Rules. There is one exception: A warning referring to pool is valid only for the round in which it was received.

The member/s from each mission who is appointed to give coaching during the Fencing Event must be specially marked in order to assist the competitors. Only one (1) coaching member for each team (male/female) is allowed.

Any unspecified cases shall first be submitted to the Jury (see Appendix 8).

The competitors are normally classed under one single pool. It means that the fencing order within the team is the same during the whole event. Every match is fought for three hits, but if more than 10 teams participate, the event can be carried out as 1-hit fencing. However, if the organizer can guarantee that the event can be carried out within 12 hours the event can be carried out with 3-hit matches even though more than 10 teams participate. The main principle is to stick to 3-hit fencing if possible.

Because MAP is a team and also an individual competition, the fencing event is carried out in such a way that each competitor meets all competitors. The fencing event always starts with the matches within each team.

Teams meet according to the list made by drawing of lots. The circulation list is announced before the drawing of lots.

Double defeat is registered.

Any match shall not exceed two minutes (one minute in 1-hit fencing).

For the female Fencing Event the minimum number of matches fought is 20, if the number of competitors are less than 21 there will be as many rounds needed to reach the minimum number of matches.

The competitors are classed under one single pool. Every match is fought for 3-hit, with the maximum time of two (2) minutes. Double defeat is registered.

If a competitor stops his participation in the fencing event, he/she is considered not to have participated in this event and all his/her results of this event are deleted, i.e. he/she gets zero points for the fencing event. If the competitor is intending to continue to take part in the following sport Events, he/she will be counted to have taken part in the fencing competition, but all remaining matches will be set as defeat.

4.3.2. CLASSIFICATION

Classification is individual. It is established by adding the victories. When two or more competitors have the same number of victories the classification list is made according to :

- the highest difference between given and received hits
- the lowest number of received hits.

In case of a tie for the Event victory there will be a fence-off.

Points are calculated by using the scoring table in appendix 4. Zero (0) victories = 0 MAP points. If a competitor starts but does not complete the fencing event and is withdrawn from the rest of the Sport Contest, he/she will keep his score so far and will receive a defeat (0-3) for the remainder of the matches in the Event. If a competitor does not start the Event, the scoring table is adjusted to the remaining number of competitors.

4.3.3. ORGANIZATION

The biggest time losses during the Fencing Event are due to disconnection and connection of the competitors. It is preferred to be able to use either two pistes for each team-meet. It is also possible to have two separate connections on each side and a switch at the control board, meaning next 2 competitors already are connected and ready when previous match is done.

Besides that, the Organizing Committee shall undertake all possible measures to speed up the Fencing Event.

4.4. BALL CONTEST

4.4.1. GENERAL

See FIBA Rules.

The event consists of two exercises:

1. Ability Course
2. Relaxation

Two competitors do the event in the same heat after each other. Two baskets can be used in exercise 2 in order to reduce the total time of this exercise. Each competitor is allowed to warm up 2 minutes before their heat start on the ball event court.

Before warm-up, between warm-up and exercise and between the exercises the competitor is not allowed to use the ball in training maneuvers in the event court.

If during the performance of an exercise the ball;

- goes flat

- is thrown in such a way that it remains lying on the ring of the basket
- is pinched between the ring and the board

In exercise 1 the competitor should replay the contest after an interval 2 minutes and 30 seconds.

In exercise 2 a new ball is handed over and the basket scored so far, is counted in. The time needed for replacing the ball should be added.

Because of referee's error the competitor should replay that contest after an interval of 2 minutes and 30 seconds.

Start procedure for the Ability Course

The timekeeper announces when 10 seconds remain to start.

From that moment the start is being made as follows.

- approx. 3 sec before start, the referee calls out – "prepare yourself" (and counts mentally 3 seconds) then,
- "whistle signal"

Timekeeping

Timekeeping starts and stops at the beginning of the whistle signal.

Court (See Appendix 5).

The spots where hurdles and balls must be placed should be marked on the floor of the court in both directions, i.e. for a clockwise as well as a counter clockwise course, in such a way that the marking is distinctive and indelible during the event. In order to avoid the rolling away of the balls placed on the floor it is allowed to use small rings on which the balls may be placed.

Once the Event has started no objections or protests regarding the court will be accepted. The court will be considered accepted by all teams once the Event has started.

Ball

Balls used in the event are normally provided by the different nations. A competitor may use balls belonging to another nation.

All balls used in the event are given to the organizing committee the day before the ball event starts. No other balls than those meant for the event are allowed in the competition hall. The balls used for the event are to be kept in the competition hall during the whole event. Each nation should be provided with a box for this purpose. The Host Nation has to provide enough balls to carry out the Ball Event, also Basket Balls of female size according to FIBA reg.

Hurdles (See Appendix 5)

The IAAF Rules specify the configuration of the hurdles

(height 106,7 cm). The hurdles along the sidelines should be placed with the support away from the competitor. The placing of the hurdles in general and the supports in particular is shown in Appendix 5. The competitor shall tell before the Ball Event starts if he/she wants a clockwise circuit. The hurdles are to be considered defenders (another person).

The four (4) hurdles in the center are to be considered as one (1) obstacle.

4.4.2 DESCRIPTION OF EXERCISES

4.4.2.1 EXERCISE 1 – ABILITY COURSE

Ability Course is divided in the following parts:

- CO-ORDINATION
- DEXTERITY
- SPEED.

PART I - COORDINATION: (See Appendix 5)

The purpose is to score five baskets with five balls previously placed on the free throw line extended towards the sideline. The competitor may choose the order in which to throw the ball. However, if a player fails to score and has already picked up the following ball, the competitor has to put this ball back on its starting position (as close as possible) and score the missed ball before continuing the part. Immediately after scoring an assistant should remove the ball from the court, except the last ball, which will be used in the following part. This is the only assistance allowed.

The organizer decides which basket the competitor has to use.

Start

The competitor takes the starting position: facing the basket, feet are beyond the extended free throw line, style is optional, without touching the ball chosen to start with.

Transition phase

When the competitors score the last ball, they automatically start the second part. The time keeps running.

PART II - DEXTERITY:

The purpose is to run through the track (dribbling) with the ball on the court and score in both baskets. Direction in which to run is to be chosen by the competitor, but the hurdles should be placed in such a way, that the counter clockwise and clockwise courts are symmetrical. The competitor has to carry out his test as indicated in appendix 5.



In case the ball goes out of court, the athlete should re-enter the court in the same position where the ball went out. Once in the court again the FIBA regulations will be applied as usual. In this case one penalty will be applied (out of bounds). The competitor has to pass each obstacle in a correct way to be able to continue. If a competitor fails an obstacle, that obstacle has to be done again.

It is not allowed to have the ball pass over a hurdle. Both the ball and the competitor have to pass each obstacle.

Transition phase

When the competitor scores the second ball (in the basket where the part started), they automatically start the third part. **The time keeps running.**

PART III - SPEED:

The purpose is to score 10 baskets right after finish Part II (Dexterity).

End of part and exercise

The end of the exercise is indicated by the whistle signal of the referee, when the 10th ball is scored. The time is recorded.

After the first exercise, a compulsory interval of 2 min and 30 sec must be observed before the start of the next exercise (count down included).

4.4.2.2 EXERCISE 2 – RELAXATION

The purpose is to score the largest number of baskets out of twenty throws within four (4) minutes in the following order:

- 10 balls via the backboard: a basket is scored when the ball, after leaving the hands of the competitor, first touches the board directly and then, no matter how, passes entirely through the basket;
- 10 balls directly into the basket: a basket is scored when the ball, after leaving the hands of the competitor, passes entirely through the basket, without having touched the board.

Start procedure for the RELAXATION

The timekeeper announces when 10 seconds remain to start. From that moment the start is being made as follows.

- approx. 3 sec before start, the referee calls – “PREPARE YOURSELF” (and counts mentally 3 seconds) then commands,
- “START”

After the starting command, the competitor starts whenever they like but has to finish within four minutes from the starting command. The timekeeper announces to the competitor: “Two minutes left” and “One minute left”.

If at the moment the competitor shoots a goal, the timekeeper makes the announcement after the competitor is relaxed. It is allowed to use more than one ball and also be assisted, but not coached, by two officials selected by the organizer. The organizer decides which basket is to be used. The referee may give actual time if the competitor asks.

Start position

A competitor takes the starting position: facing the basket, feet are beyond the free throw line, style is optional, the ball is placed in the middle of the free throw line.

End of exercise

The exercise ends either after the 20th ball has been thrown or by the –“STOP”– command of the timekeeper 4 minutes after the starting command –“GO”–. If the ball leaves the competitor’s hand during the –“STOP”–command and if a basket is scored, it is counted in.

Recommended Officials

1 referee, 1 assistant–referee, 4 timekeepers, 1 scorer, 2 secretaries and 2 assistants

Referees

The referees shall have the power to make decisions on any point not specifically covered by the MAP rules according to the FIBA Rules. Immediately after noticing a foul the referee should indicate this to the jury and spectators in a distinctive manner, however, without distracting the competitor.

In exercise 2, Relaxation, in any case the following information should be indicated in a visible manner to the competitor:

- number of baskets scored
- number of baskets disallowed
- notice to the competitor when the first 10 balls are thrown
- care should be taken that the referee and the jury do not cause distraction.

4.4.3 CLASSIFICATION

Classification is made according to the ball event scoring table in Appendix 5.

In case of a tie the first criteria the define the best classified is the number of scored balls in exercise 2, than the number of scored balls in the first half of the exercise 2.





4.4.4 SPECIAL REGULATIONS

The contest is held indoors. No one but officials and the competitors may enter the court. Other people (spectators, other competitors and coaches) must be far enough from the court boundaries to avoid reasons for any protest. Silence of both the spectators and the other competitors is preferred during the exercises and especially during exercise 2, relaxation.

It is mandatory for the organizer to use the overview video.

Any unspecified cases shall be submitted to the Jury (Appendix 8)

4.4.5 PENALTIES EXERCISE 1

1st false start: The competitor is called back and starts as soon as possible. No penalties.

If a competitor fails to score and keeps going on or stops, thinking he/she scored, the referee immediately draws his attention by calling –“STOP”–. If the competitor doesn't obey, or if he/she makes a 3rd false start, he/she scores no points in Exercise 1 (Ability course).

If a competitor does not correctly pass the center obstacle, he/she should be called back, using –“STOP”– command, and redo the obstacle.

The following violations are penalized by an additional time of two seconds:

- Placing feet on or over the free throw line or its extension at the moment of the start.
- Touching the basket or the backboard during shooting.
- Running with the ball (two-count rhythm).
- Double dribble.
- Out of bounds.
- Knocking over a hurdle or changing its place > 5 cm
- 2nd false start: The competitor is called back and starts as soon as possible.
- Unauthorized training maneuvers before start of exercise 1
- Having the ball passing over a hurdle during the ability course

Displacing of hurdles

If the competitor during the first run through the center obstacle displaces any of hurdles, the organizer immediately with a ready-made measure measures the distance of the hurdles from its initial position. If the hurdle is more than five centimeters out of the position it shall be repositioned immediately before the competitor returns the second time. The competitor receives one penalty. If the hurdle, for any reason, has not been replaced, when the competitor returns the second time, he/she repeats the entire Ability exercise after an interval of 3 min, maintaining one penalty.

4.4.6 PENALTIES EXERCISE 2

Unauthorized training maneuvers before start of exercise 2, 1 ball scored subtracted. Any basket scored with one or more violations is not counted.

The following violations are penalized:

- placing feet on or over the free throw line before the ball has touched the board or the ring or before it is proved that neither is touched
- scoring without touching the board first when this is required
- the ball touching the board before scoring when this is not allowed

4.5 OBSTACLE RUN

4.5.1 GENERAL

A competitor who catches up another competitor during the obstacle run should be allowed to pass.

Obstacle run is governed by the Military Pentathlon Regulations with following remarks:

The course length is from 300 to 400 m and has 10 to 12 obstacles.

The distance from the Starting point to the first obstacle should be 20 meters and the distance from the last obstacle to the finish line should be 40 meters.



The obstacles are of the same type as Military Pentathlon obstacles but may be placed in a hilly or irregular terrain (for example forest track) and the obstacles may be placed in different order.

There is no specific demand on the running surface. See appendix 6. Obstacles 1, 8 and 16 in Military Pentathlon are not allowed.

If the dimensions of the material and the already existing obstacle course are not according to regulations, this must be brought to the attention of the CSC at least six months prior to the championship.

Any deviations of dimensions or material should be specified in the Invitation File.

There is no obligation to have two lanes in world championships. The start interval is normally 3 minutes between each competitor. If two (2) lanes are used the start interval of four (4) minutes will be used.

Spiking shoes are allowed.

As to female participation the Military Pentathlon Regulations are applied in the obstacle run. See appendix 5. The boundaries of the running tracks have to be clearly marked.

4.5.2 CLASSIFICATION

MAP points will be calculated according to Appendix 6.

4.5.3 PENALTIES:

The competitor stepping on or outside the marked inner curve line is called back by the controller with a whistle sound and a raised red flag to the point where the violation occurred. The competitor ignoring inner curve violation is given a penalty of 30-sec additional time.

A penalty of 30 seconds in additional time is given for each obstacle that the competitor does not pass in the prescribed way.

Any unspecified cases shall be first submitted to the Jury (see Appendix 8).

4.6. ORIENTEERING

4.6.1 GENERAL

See IOF rules.

The time between the start of the Obstacle run Event and the Orienteering Event should be 60 minutes if possible.

The estimated winning time in orienteering should be 45 min (Ideal Time), for men and for women the track should be

approximately 20% shorter, the estimated winning time for women will be 40 minutes.

The start interval is normally 3 minutes between each competitor. In the case of doing the Obstacle run Event with two (2) competitors at the same time, the start interval will be two (2) min.

4.6.2 CLASSIFICATION

MAP points will be calculated according to Appendix 7.

4.6.3 SPECIAL REGULATIONS

Competitors have to complete the whole orienteering in a time = Ideal Time x 3. When the space of time has elapsed, the control at the finish is closed and the competitor is considered not to have completed the event. All precautions to avoid difficulties and accidents are to be taken by the organizers (search and rescue, etc.)

The day before the orienteering contest the map is given to the participating nations. The checkpoint symbols are not given. Map distribution makes it more equal between teams because usually the map is old and it may have been used sometimes in the host country.

The checkpoints must be clearly visible in the terrain.

At one or several (depending on the weather) of the checkpoints, soft drinks should be available for the competitors.

It is up to the competitor to check that they are given the correct map at the start. If a competitor realizes that they have been handed an incorrect map, he/she should return to the start and will be given a new start time with the correct map. The competitor should remain isolated from the other competitors until starting again.

4.6.4 ORGANIZATION

Preparations for the orienteering test are kept secret from the competitors and all other persons who are engaged in the teams except the technical jury. The checkpoints are checked by the President of CSC or any one he appoints as soon as possible after his arrival and, if possible, at least two days before the contest.

The competitors that have finished the Orienteering Event should be kept separated from the competitors that have not started yet. No one except the Technical Jury and people involved in the organization of the Event can exit the finishing area and enter the waiting area for starting competitors.

The area where the tracks are set should be closed for all other people except for officials and Jury.

Any unspecified cases shall be first submitted to the Jury (see Appendix 8).

FLYING CONTEST

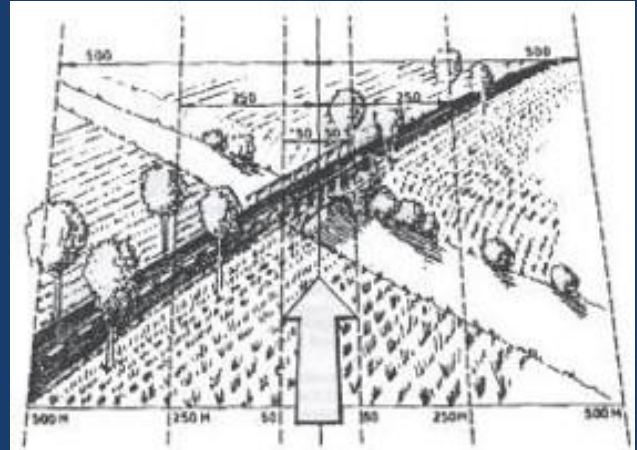
To calculate the time for the route:

Measure the distance from the middle of the runway to checkpoint 1, add the distance from checkpoint 1 to checkpoint 2 and the distance from checkpoint 2 to the center of the finish line. Calculate using the distance and normal cruise speed to get time needed for the route then add time for acceleration and turn after take-off (3 min) and each turn at checkpoints (1 min each turn), to get route time from take-off to finish, rounded up to next full minute.

Example: route distance 200 Nm, Normal Cruise speed 200 kts = 60 min route time. Add 3 min for take-off and 2 min (1 min for each CP-turn = 65 min from ETD to ETA given to competitor.

A penalty of 200 MAP points is given to a crew that fails to hand in the signed TIMETABLE FORM in time.

Figure showing how distance is calculated with regards to given heading.



Take-off point calculation

Time Deviation ±	Points
0,0 - 5,0 sec	1000 points (no penalty)
5,1 - 6,0 sec	900 points (whole interval)
6,1 - 14,1 sec	800 - 0 points (10 points / 0,1 sec penalty)

Checkpoint 3 point calculation

Time Deviation ±	Points	Reduction
0,0 - 0,5 sec	1000 points	(no penalty)
0,6 - 5,5 sec	990 - 500 points	10-point reduction / 0,1 sec
5,6 - 54,6 sec	490 - 0 points	1-point reduction / 0,1 sec

Checkpoint 1 and 2 point calculation

Distance Deviation ±		Time Deviation ±	
0 - 50m	500 points	0 - 5,0 sec	500 points
51 - 250m	250 points	5,1 - 10,0 sec	250 points
251 - 500 m	125 points	10,1 - 15,0 sec	125 points
> 500 m	0 points	>15 sec	0 points

Passing from the wrong sector = 0 points for the whole checkpoint.

Failing to maintain a constant heading for the last 2 km = 0 points for the checkpoint.

Failing either Distance (>500m) or Time deviation (>15 sec) = 0 points for the checkpoint.



2 - POINTS TABLE SHOOTING: AIR PISTOL - 10M

1 target point = 15 points

Score	Points	Score	Points	Score	Points	Score	Points
200	1350	177	1005	154	660	131	315
199	1335	176	990	153	645	130	300
198	1320	175	975	152	630	129	285
197	1305	174	960	151	615	128	270
196	1290	173	945	150	600	127	255
195	1275	172	930	149	585	126	240
194	1260	171	915	148	570	125	225
193	1245	170	900	147	555	124	210
192	1230	169	885	146	540	123	195
191	1215	168	870	145	525	122	180
190	1200	167	855	144	510	121	165
189	1185	166	840	143	495	120	150
188	1170	165	825	142	480	119	135
187	1155	164	810	141	465	118	120
186	1140	163	795	140	450	117	105
185	1125	162	780	139	435	116	90
184	1110	161	765	138	420	115	75
183	1095	160	750	137	405	114	60
182	1080	159	735	136	390	113	45
181	1065	158	720	135	375	112	30
180	1050	157	705	134	360	111	15
179	1035	156	690	133	345	110	0
178	1020	155	675	132	330		

PENALTY TABLE SHOOTING: AIR PISTOL - 10M

1 target point = 15 points

The pentathlete infringes the rules and is penalized for:	Penalty 1st occasion	Penalty 2nd occasion	Penalty 3rd occasion
Discharge of gas from air pistol during Preparation Time.	Deduction of 20 points for each occasion.		
in the case of a disallowed malfunction, a shot that did not go off	Looses the shot		
firing a shot after the command "LOAD" and before the "START" command	Looses the shot		
firing after the command "STOP"	Looses the shot		
having two shots on the target and the origin of both shots cannot be identified;	Warning	Deduction of 20 Pentathlon points	Eliminated
each communication with any person other than a shooting official after the end of the warm-up;	Warning		Deduction of 20 Pentathlon points
The third occasion and each time thereafter of an allowed malfunction	Warning	Warning	Deduction of 20 Pentathlon points
loading before the "LOAD" command;	Warning		deduction of 20 Pentathlon points
contravening clothing regulations;	Deduction of 20 Pentathlon points		
unjustifiably claiming an incorrect command and/or action by the Range Officer;	Deduction of 20 Pentathlon points		
unjustifiably claiming a disturbance when not having finished his shot due to the claimed disturbance;	Deduction of 20 Pentathlon points		
beginning the event with an unapproved pistol.	Deduction of 20 Pentathlon points		
using a pistol which fails trigger weight control test;	Deduction of 20 Pentathlon points		
arriving late, after the "LOAD" command for the first competition shot has been given and it is his mistake	Elimination		
firing a shot before the command "LOAD";	Elimination		
for exchanging or modifying or adjusting his officially approved pistol so that it violates the rules	Disqualification		
Without valid reason, failing to have the equipment and weapon checked at the official time given by the organizer. (Normally during the official training day)	Deduction of 100 Pentathlon points		

SWIMMING EVENT SCORING TABLE

Swimming Event Scoring Men

Swimming time 1:07,0 = 1000 points

1/10 sec = 3 points

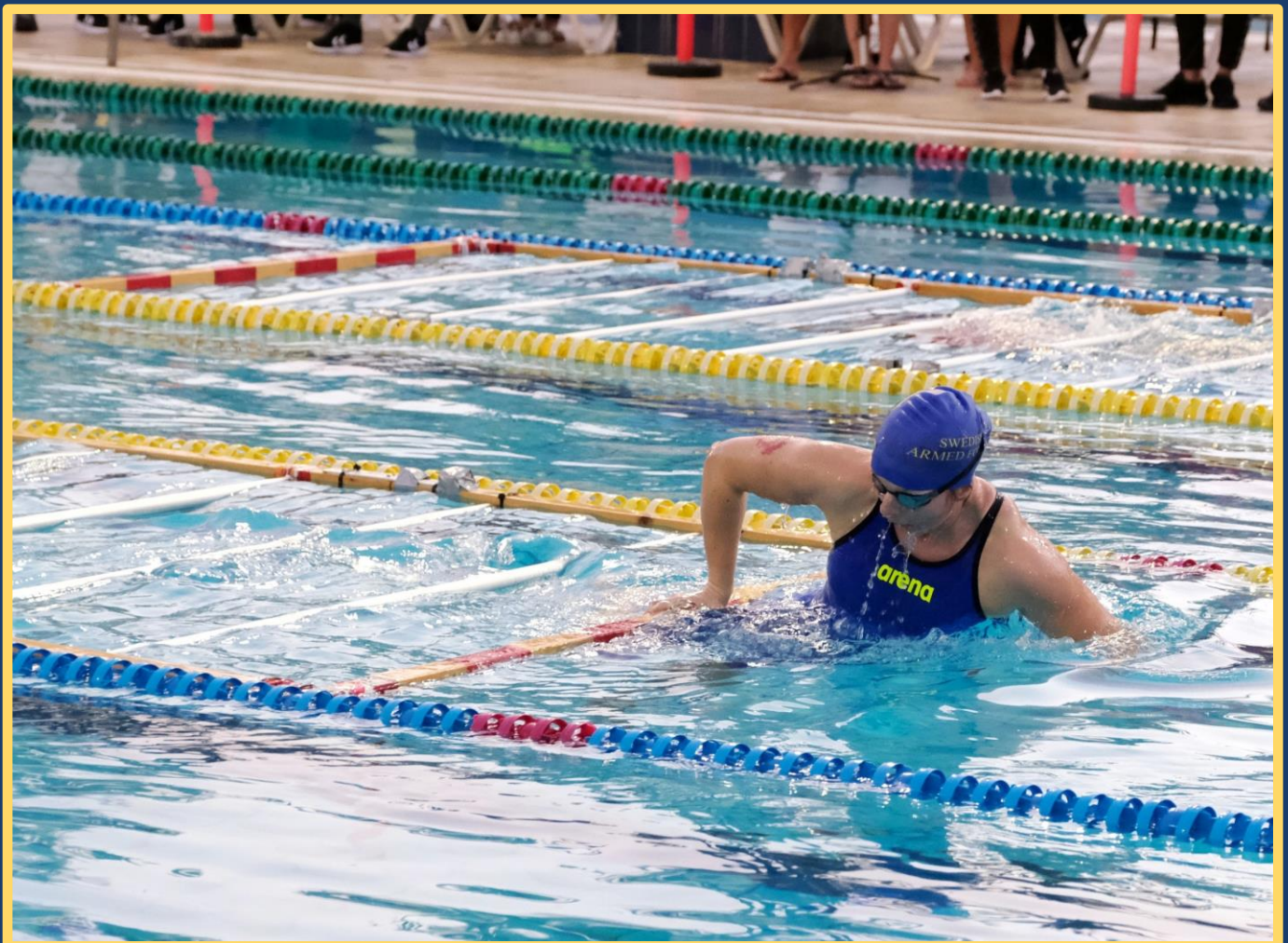
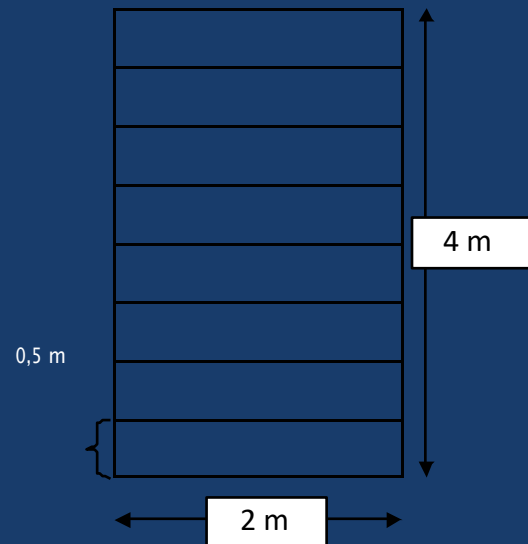
Swimming Event Scoring Women

Swimming time 1:17,0 = 1000 points

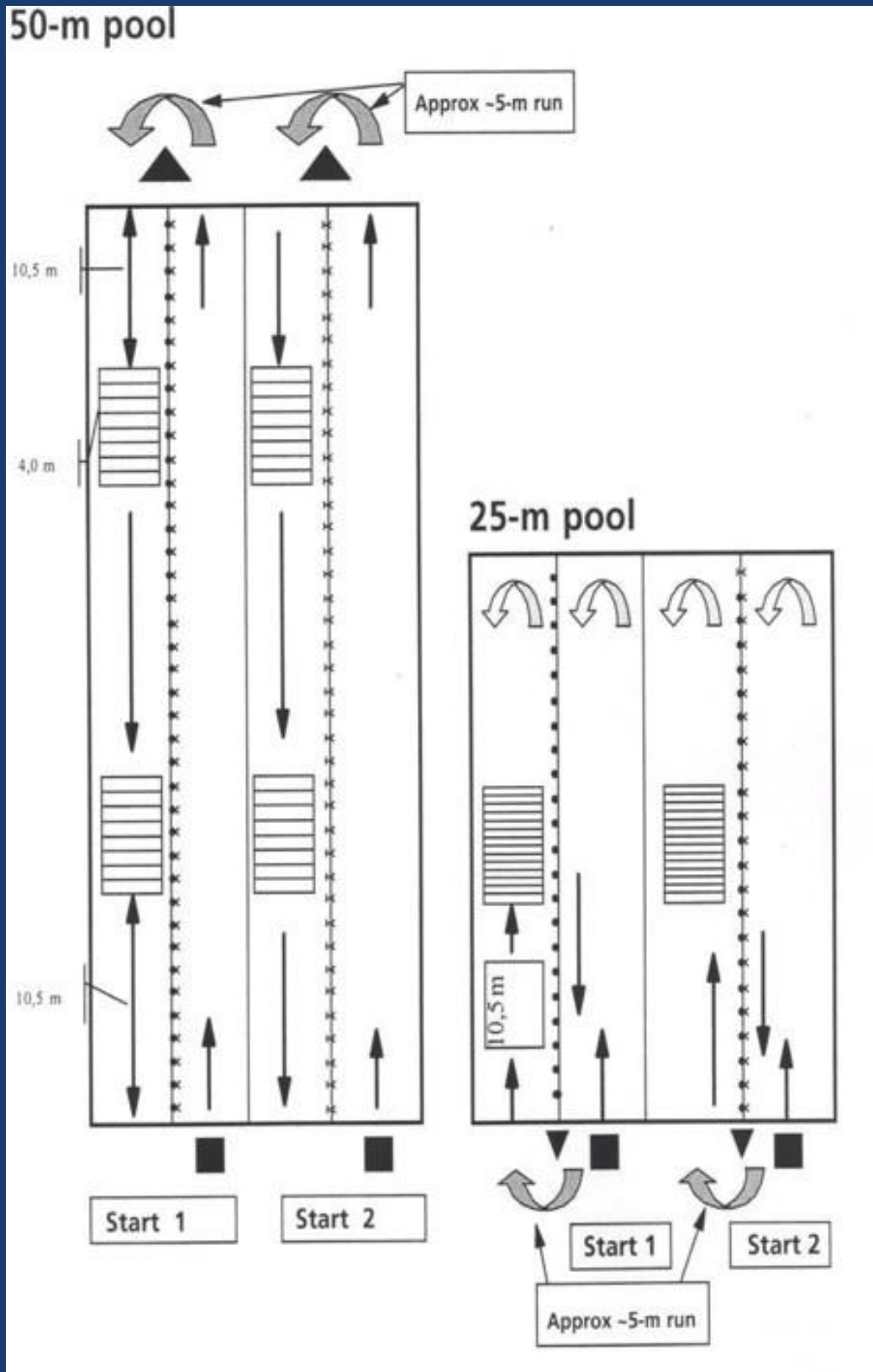
SCORING TABLE SWIMMING					
TIME		Points	TIME		Points
Men	Women		Men	Women	
00:57,0	01:07,0	1300	01:19,0	01:29,0	640
00:58,0	01:08,0	1270	01:20,0	01:30,0	610
00:59,0	01:09,0	1240	01:21,0	01:31,0	580
01:00,0	01:10,0	1210	01:22,0	01:32,0	550
01:01,0	01:11,0	1180	01:23,0	01:33,0	520
01:02,0	01:12,0	1150	01:24,0	01:34,0	490
01:03,0	01:13,0	1120	01:25,0	01:35,0	460
01:04,0	01:14,0	1090	01:26,0	01:36,0	430
01:05,0	01:15,0	1060	01:27,0	01:37,0	400
01:06,0	01:16,0	1030	01:28,0	01:38,0	370
01:07,0	01:17,0	1000	01:29,0	01:39,0	340
01:08,0	01:18,0	970	01:30,0	01:40,0	310
01:09,0	01:19,0	940	01:31,0	01:41,0	280
01:10,0	01:20,0	910	01:32,0	01:42,0	250
01:11,0	01:21,0	880	01:33,0	01:43,0	220
01:12,0	01:22,0	850	01:34,0	01:44,0	190
01:13,0	01:23,0	820	01:35,0	01:45,0	160
01:14,0	01:24,0	790	01:36,0	01:46,0	130
01:15,0	01:25,0	760	01:37,0	01:47,0	100
01:16,0	01:26,0	730	01:38,0	01:48,0	70
01:17,0	01:27,0	700	01:39,0	01:49,0	40
01:18,0	01:28,0	670	01:40,0	01:50,0	10

OBSTACLES IN SWIMMING EVENT

The obstacles are constructed of wooden ribs strong enough to make it possible for the competitor to use the obstacle as support when passing it. The space between the ribs should be great enough to make it possible to put up a head between them. A distance of about 0,5m is recommended. The bottom of the obstacle may be at a maximum of 10 cm below the water surface. The obstacle is painted in a conspicuous color at both ends. The obstacle corners have to be marked with stripes or cylinders *about 15 cm in length and about 7 cm in diameter (hanging under water to prevent accidents).



SWIMMING POOL LAYOUT IN 50M AND 25M



FENCING EVENT SCORING TABLE

and 1-hit fencing (70% victories = 1000 points)

14	15	15	16	17	18	18	19	20	20	21	22	22	23	24	25	25	26	27	27	28	29	29	30	31	32	32	33	34	34	35	36	36	37	38	39	39	40	41	41	42	70% victories
20	21	22	23	24	25	26	27	28	29	30	31	32	33	34	35	36	37	38	39	40	41	42	43	44	45	46	47	48	49	50	51	52	53	54	55	56	57	58	59	60	number of matches
55	52	50	48	46	44	42	41	39	38	37	35	34	33	32	31	31	30	29	28	28	27	26	26	25	24	24	23	23	22	22	21	21	20	20	20	19	19	19	18	value each victory	

Application of the scoring table:

$$\frac{11 \times 100}{\text{matches}} = \text{points / victory}$$

Columns: Middle = number of matches
Above = number of victories for 1000 points
Below = value for each victory

Points are calculated on the basis of the number of victories that gives 1000 points +/- the number of points/victory
0 victories is equal to 0 points.

Team contest order (9-10 teams)

Round	Pist A	Pist B	Pist C	Pist D	Pist E
0+1	1-2	3-4	5-6	7-8	9-10
2	2-9	4-5	6-7	8-1	10-3
3	10-8	6-1	3-9	4-7	5-2
4	9-7	10-5	1-4	2-6	8-3
5	8-5	3-2	7-10	9-1	6-4
6	6-3	4-8	5-9	2-7	1-10
7	5-3	1-7	4-2	6-10	8-9
8	1-5	7-3	6-9	8-2	10-4
9	5-7	3-1	9-4	2-10	6-8

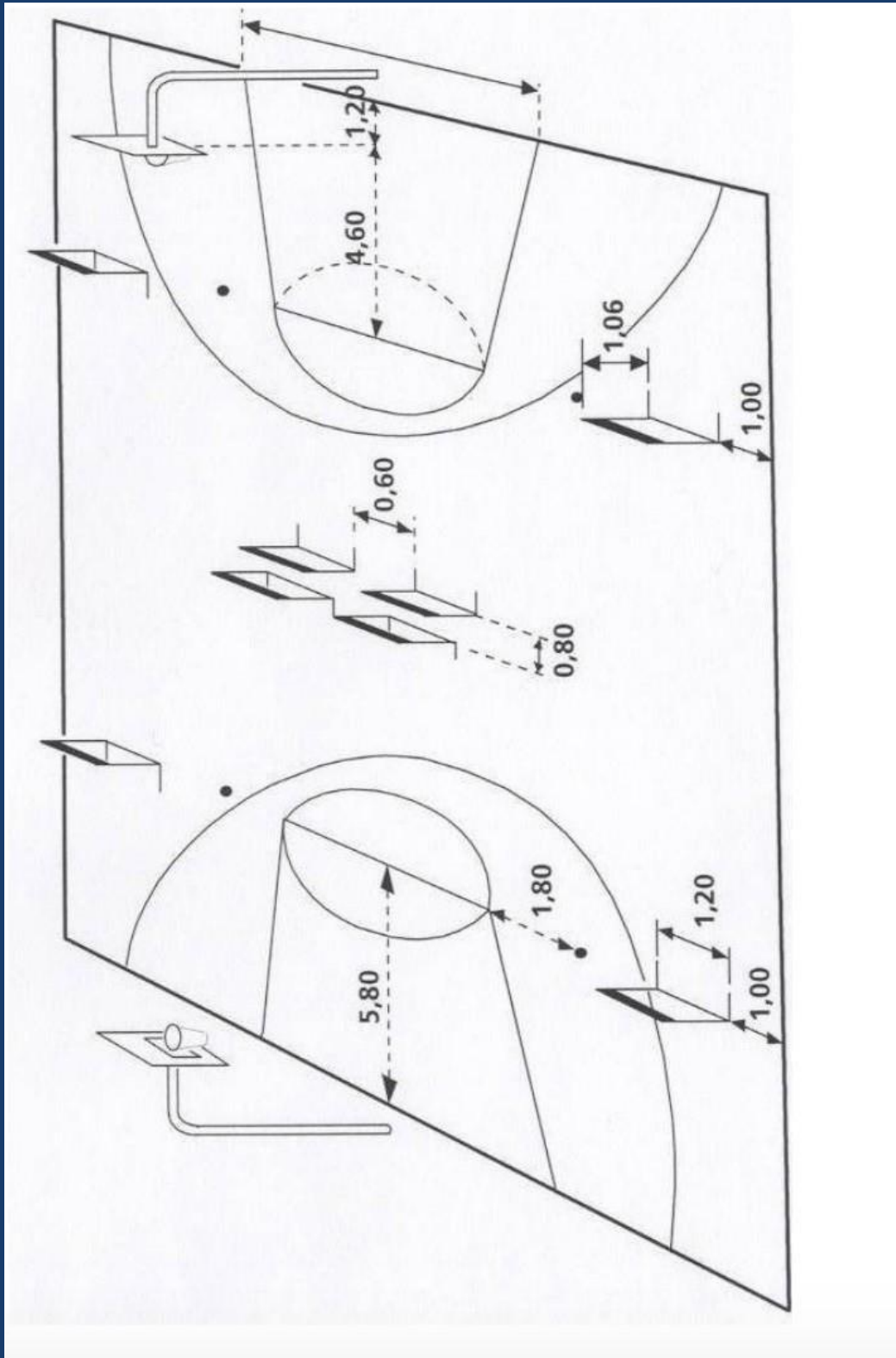
(7-8 Teams)

Round	Pist A	Pist B	Pist C	Pist D
0+1	1-2	3-4	5-6	7-8
2	6-8	5-7	2-4	3-1
3	4-1	2-3	8-5	7-6
4	6-2	1-5	3-7	4-8
5	8-3	7-4	6-1	5-2
6	1-7	2-8	3-5	4-6
7	6-3	5-4	8-1	7-2

Match order using 2 pists for each team meet

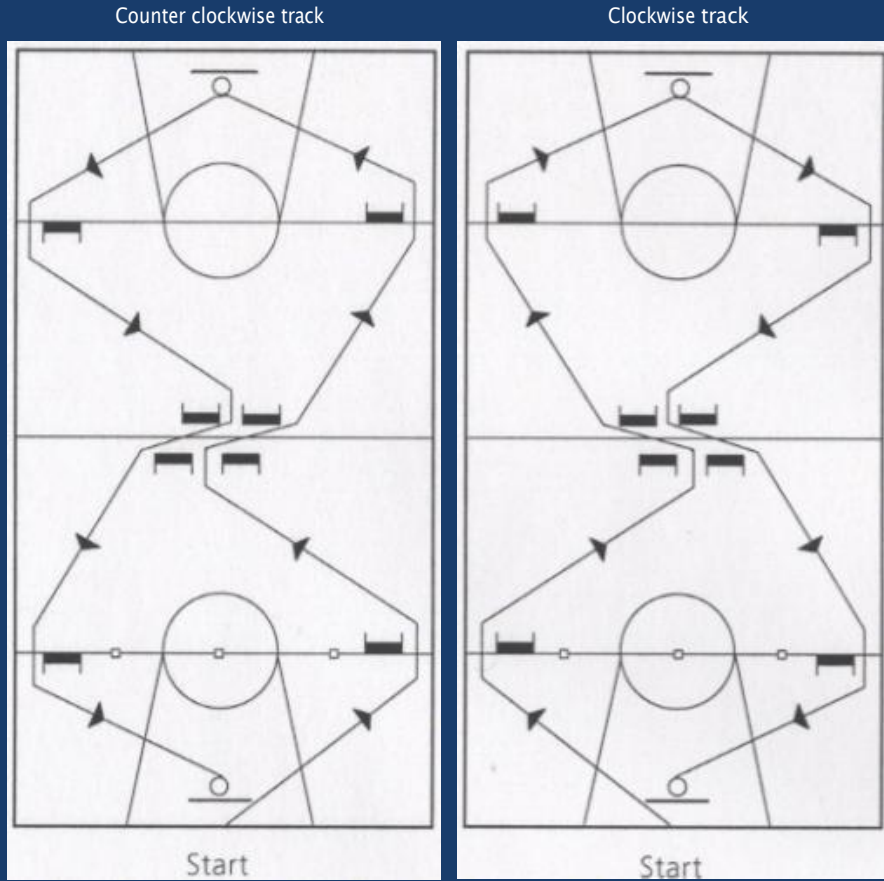
Pist A	Pist B
3-8	4-6
1-7	2-5
8-1	6-3
5-4	7-2
3-5	1-6
2-8	4-7
6-2	5-1
7-3	8-4

BALL CONTEST COURT



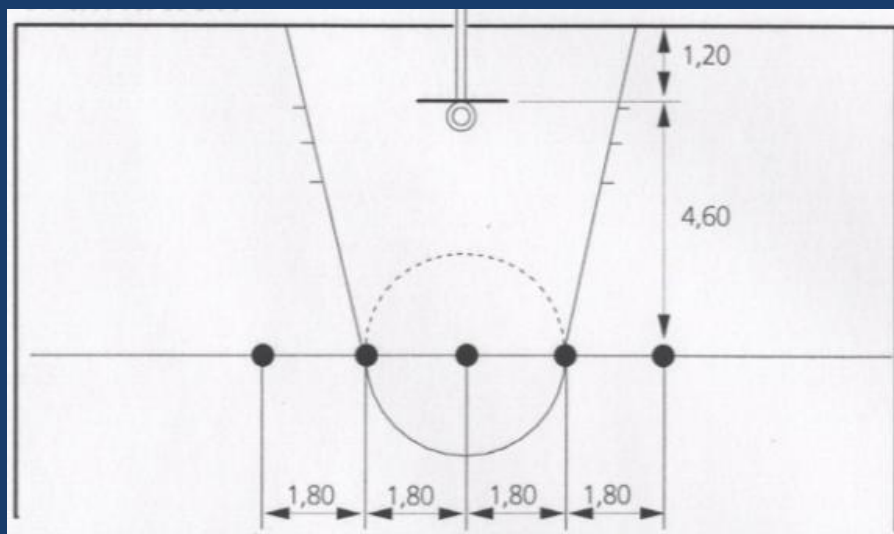
BALL CONTEST COURT

Dexterity



Co-ordination

Start set-up (of basket balls)



BALL EVENT SCORING TABLE

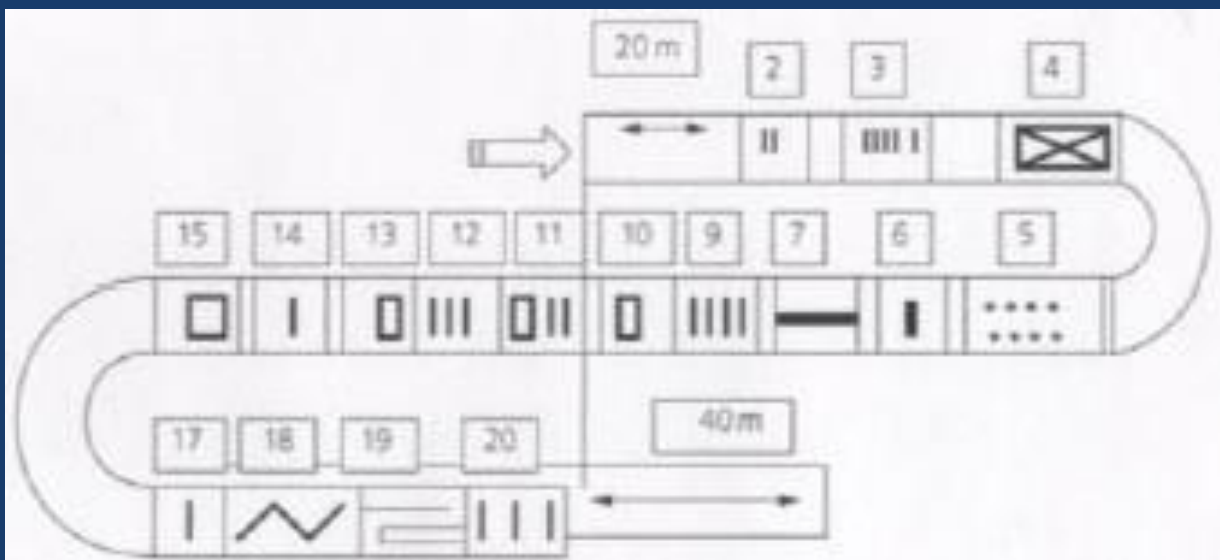
1/10 sec = 2 points

ABILITY COURSE POINT TABLE					
TIME		POINTS	TIME		POINTS
MEN	WOMEN		MEN	WOMEN	
00:49,0	00:56,0	650	01:06,0	01:13,0	310
00:50,0	00:57,0	630	01:07,0	01:14,0	290
00:51,0	00:58,0	610	01:08,0	01:15,0	270
00:52,0	00:59,0	590	01:09,0	01:16,0	250
00:53,0	01:00,0	570	01:10,0	01:17,0	230
00:54,0	01:01,0	550	01:11,0	01:18,0	210
00:55,0	01:02,0	530	01:12,0	01:19,0	190
00:56,0	01:03,0	510	01:13,0	01:20,0	170
00:57,0	01:04,0	490	01:14,0	01:21,0	150
00:58,0	01:05,0	470	01:15,0	01:22,0	130
00:59,0	01:06,0	450	01:16,0	01:23,0	110
01:00,0	01:07,0	430	01:17,0	01:24,0	90
01:01,0	01:08,0	410	01:18,0	01:25,0	70
01:02,0	01:09,0	390	01:19,0	01:26,0	50
01:03,0	01:10,0	370	01:20,0	01:27,0	30
01:04,0	01:11,0	350	01:21,0	01:28,0	10
01:05,0	01:12,0	330			

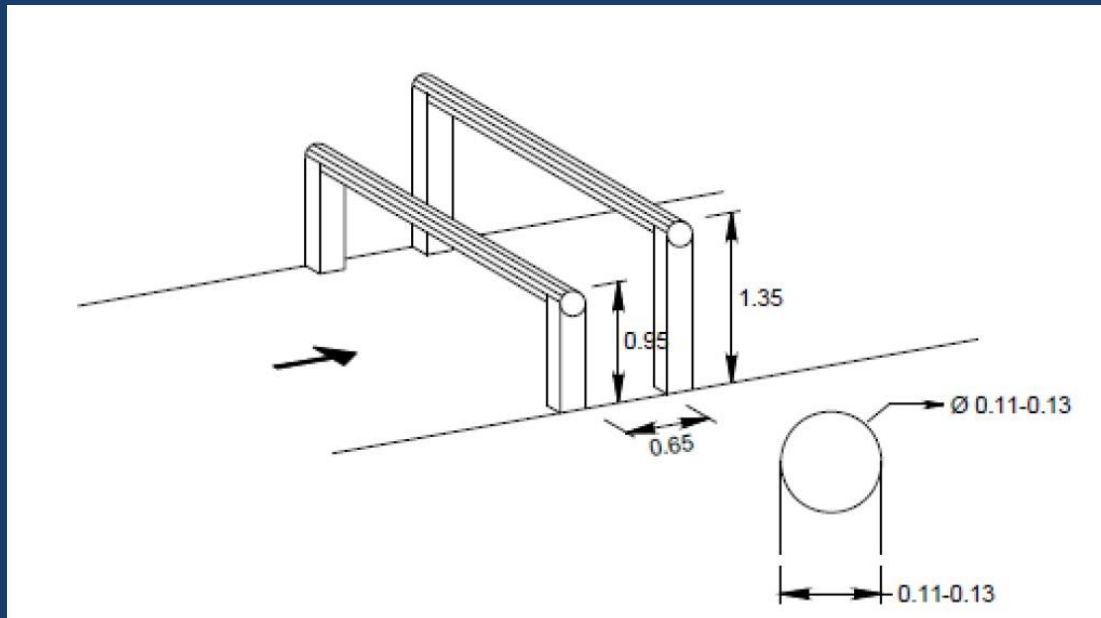
RELAXATION POINT TABLE	
SCORES	POINTS
20	650
19	618
18	586
17	554
16	522
15	490
14	458
13	426
12	394
11	362
10	330
9	298
8	266
7	234
6	202
5	170
4	138
3	106
2	74
1	42
0	

OBSTACLE RUN TRACK AND OBSTACLES

The obstacles are the same as in Military Pentathlon but obstacles nr 1, 8 and 16 are not allowed in the Military Aeronautical Pentathlon. The obstacles may be placed in different order and in any terrain.



OBSTACLE NR 2 - DOUBLE BEAM.



CHARACTERISTICS :

Height of 1st beam (upper edge)	0.95 m
Height of 2nd beam (upper edge)	1.35 m
Distance between the beams (horizontal plane)	0.65 m

DIMENSIONS OF THE BEAMS :

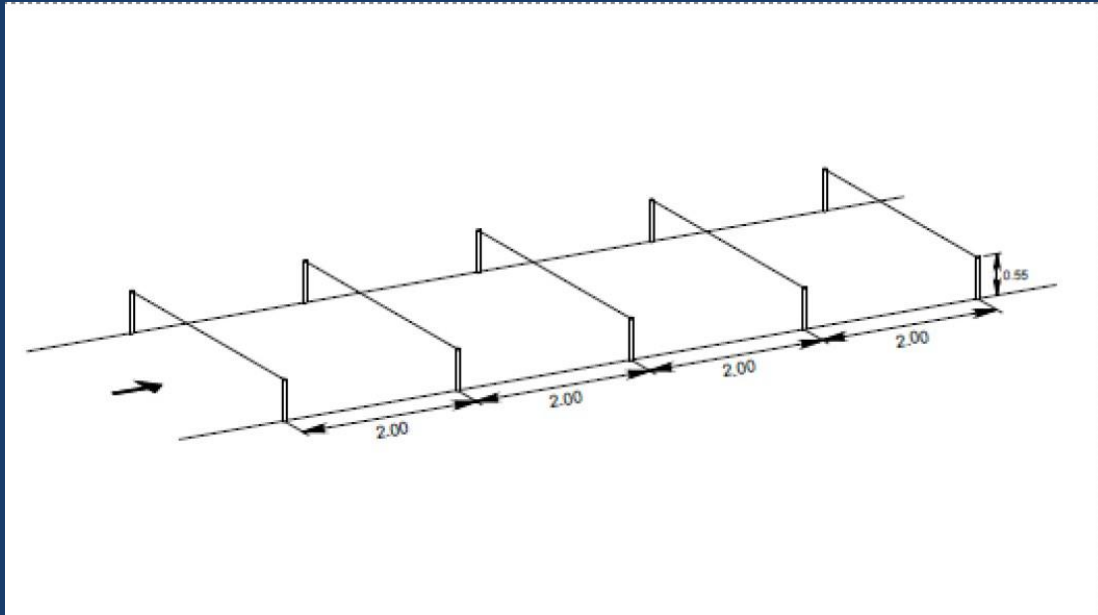
Diameter of tubular beams	11.0-13.0 cm
---------------------------	--------------

CROSSING :

Jump onto the first beam, make contact with the ground between the two beams, and then pass over the second beam.



OBSTACLE NR 3 - TRIP WIRE



CHARACTERISTICS :

5 elastic wires, colored or marked to make them very visible and placed at an interval of
 Height above ground
 Diameter of wire

2.0 m
 0.55 m
 minimum 7 mm

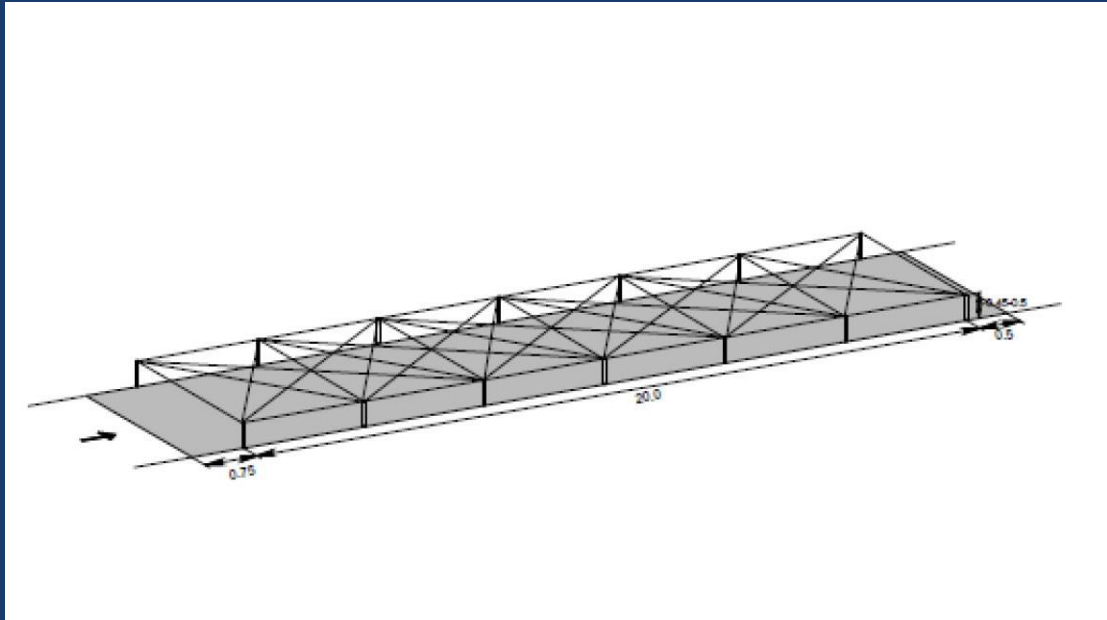
Wires in one lane must be fixed independently from wires in other lane (in case of multiple lanes).
 Material with limited elasticity will be used. Maximum elasticity shall be 50 cm in running direction.
 For safety reasons the wires must be absolutely securely fixed (e.g. snap hook).

CROSSING :

Wires to be hurdled.
 Jump over each one of the 5 wires successively and in a free style.
 Touching or stretching the wires is permitted whereas deliberately jumping on the wires is forbidden.



OBSTACLE NR 4 - NETWORK OF WIRES



CHARACTERISTICS :

Length of the network 20.0 m

Height 0.45 – 0.5 m

The surface of the ground under the network must be supple and should commence 0.75 m in front of and end 0.50 m behind the network.

The network must be fixed and be of non-stretchable material.

The wires making the beginning and the end of the network must be of material with some elasticity.

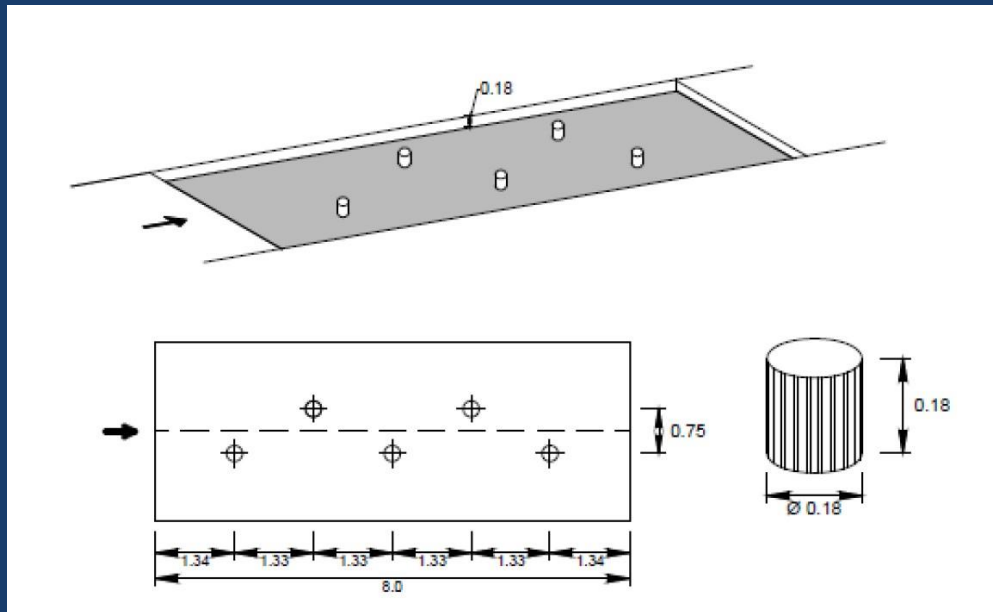
They must be absolutely securely fixed (e.g. snap hook).

CROSSING :

Free style crawling underneath the network.



OBSTACLE NR 5 - FORD



CHARACTERISTICS :

Length of the ford	8.0 m
Depth of the ford	0.18 m
5 cylindrical pots	
Height	0.18 m
Diameter	0.18 m

The position of the pots must be according sketch (all distance are measured from center).

The ground between the pots must be soft so that incorrect passing (stepping on the ground) is detectable.

CROSSING :

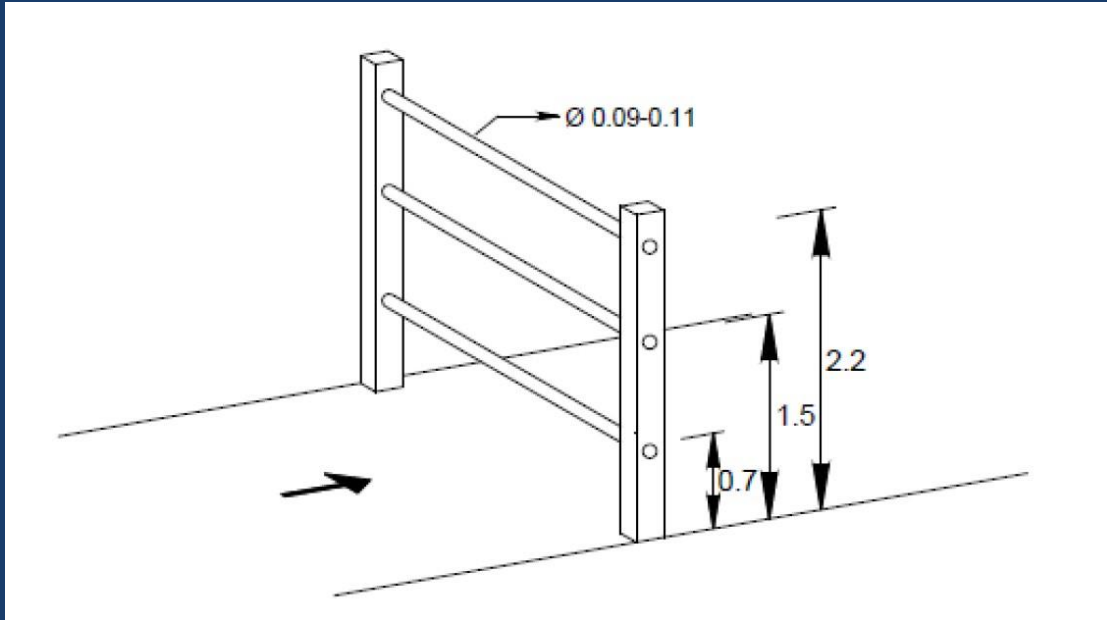
Cross the ford by stepping on the pots only

It is forbidden to have contact with the ground outside the limits of the ford.

There is no obligation to use all pots.



OBSTACLE NR 6 - ESPALIER



CHARACTERISTICS :

3 horizontal tubular bars

Height of highest bar (upper edge)

2.2 m

Height of middle bar (upper edge)

1.7 m

Height of lower bar (upper edge)

0.7 m

Dimensions of the bars

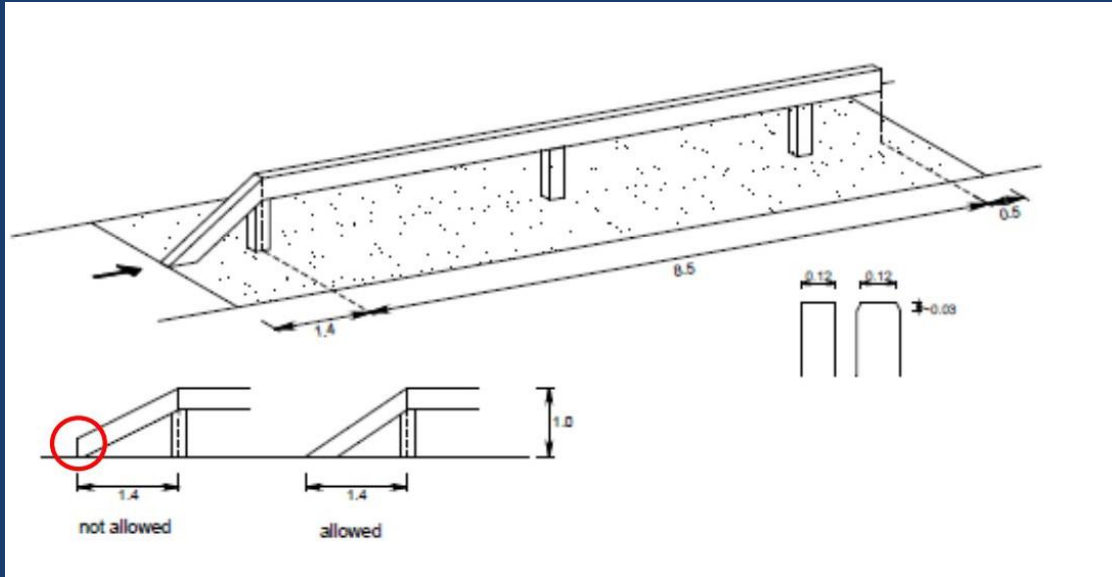
9.0-11.0 cm

CROSSING :

All styles are permitted that the top bar is crossed.



OBSTACLE NR 7 - BALANCE BEAM



CHARACTERISTICS :

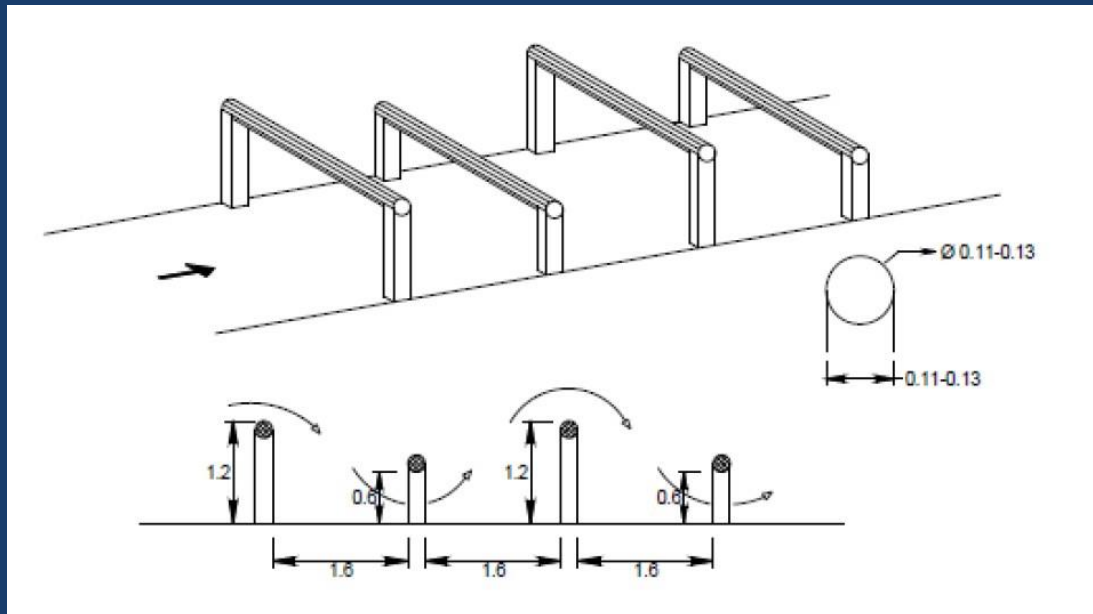
Total length of the obstacle between the two limiting lines	10.4 m
Height of the horizontal beam (upper edge)	0.9-1.0 m
Length of the horizontal beam	8.5 m
Ground distance from the beginning of the sloping plank	1.3 - 1.4 m
Width of the flat top side and of the sloping plank	10 - 12 cm
Two limiting lines (width 5 cm) are part of the obstacle. The first line is placed at the beginning of the obstacle (0 - 5 cm), the other 45 50 cm beyond the end of the horizontal beam.	

CROSSING :

- Mount the beam ahead of the first line. Cross it lengthwise.
- At the far end jump to the ground beyond the limiting line.
- Between the two lines, loss of balance resulting in contact with the ground is considered a fault.
- The competitor must recommence in front of the line, marking the beginning of the obstacle.



OBSTACLE NR 9 - HORIZONTAL BEAMS



CHARACTERISTICS :

Height of 1st and 3rd beam (upper edge)	1.2 m
Free space under 2nd and 4th beam (lower edge)	0.6 m
Distance between the beams (horizontal plane)	1.6 m

Dimensions of the beams:

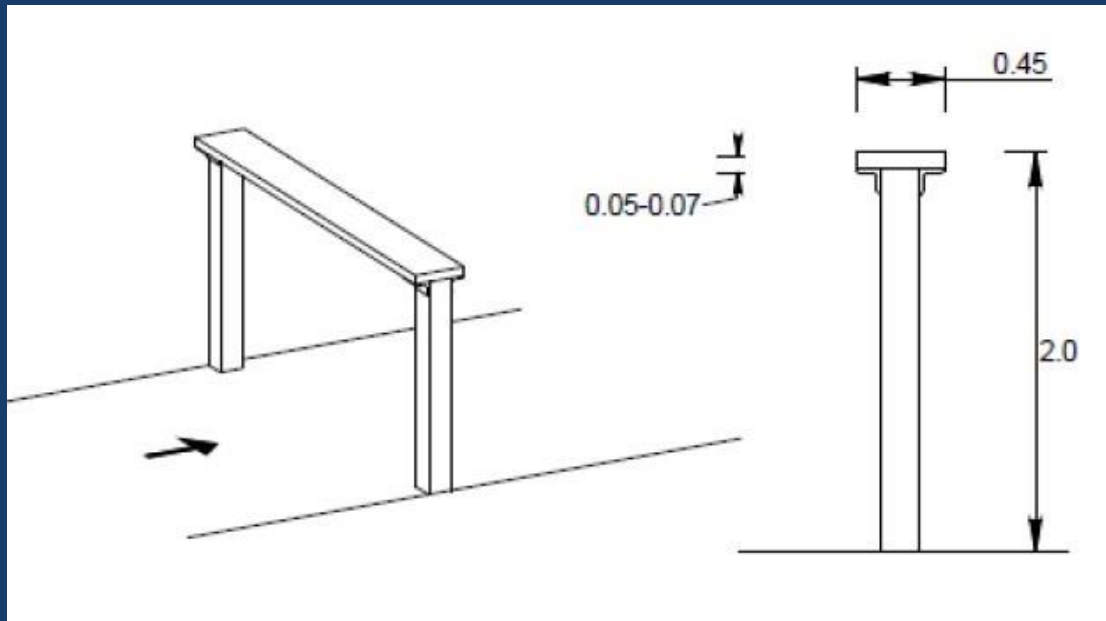
Diameter of tubular beams	11.0 – 13.0 cm
---------------------------	----------------

CROSSING :

Negotiate the beams in order – over – under – over – under, in a style left to the competitors



OBSTACLE NR 10 - IRISH TABLE



CHARACTERISTICS :

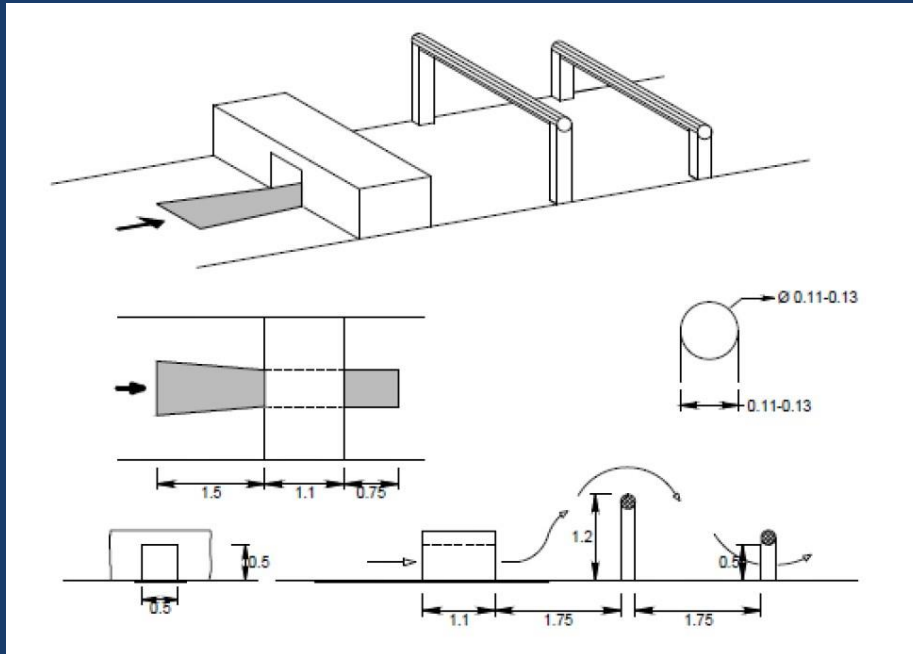
Height	2.0 m
Width	0.4 - 0.5 m
Thickness of the board	5.0 - 7.0 cm

CROSSING :

Free style crossing of the board, provided that the competitor passes the obstacle in the running direction and does not use the uprights for support.



OBSTACLE NR 11 - TUNNEL AND TWIN BEAMS



CHARACTERISTICS :

Height and breadth of the tunnel	0.5 m
Length of the tunnel	1.0 - 1.2 m
Height of first beam (upper edge)	1.2 m
Free space under the second beam (lower edge)	0.5 m
Distance between the different parts of the obstacle (horizontal plane)	1.75 m

For diving through the tunnel the surface of the ground must have a slippery surface. This slippery surface must commence 1.5 m ahead of the tunnel and end 0.75 m after the tunnel.

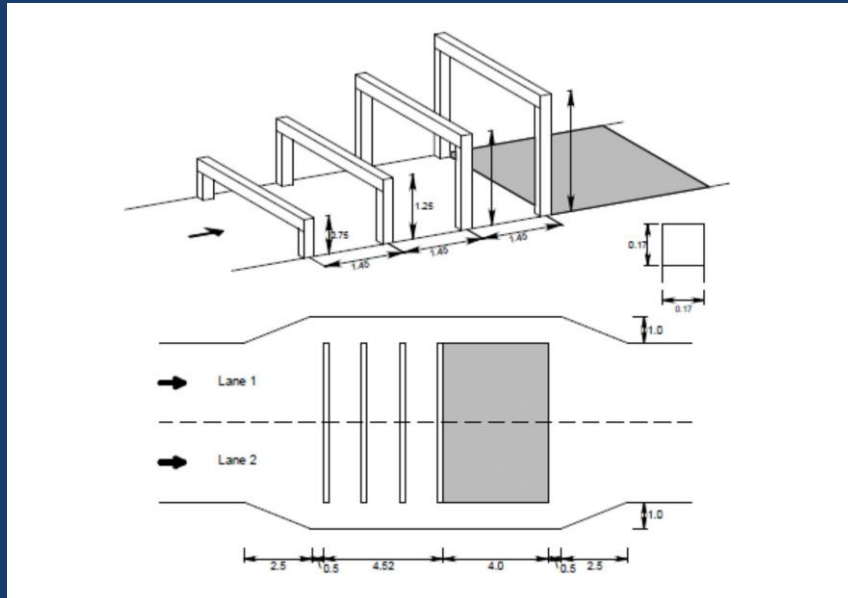
Dimensions of the beams:	
Diameter of tubular beams	11.0-13.0 cm

CROSSING :

Negotiate the obstacle in the following sequence: Dive through the tunnel, climb over the first beam and pass under the second beam.



OBSTACLE NR 12 - FOUR STEPS OF BEAMS



CHARACTERISTICS :

Four horizontal beams

Height of 1st beam

0.75 m

Height of 2nd beam

1.25 m

Height of 3rd beam

1.80 m

Height of 4th beam

2.30 m

Distance between the beams (center to center - horizontal plane)

1.45 m

Length of landing pit

3.00 - 4.00 m

Dimensions of beams:

Flat surface

17 cm

If tubular beams are used exceptionally - diameter of beams

16.5 - 19.5 cm

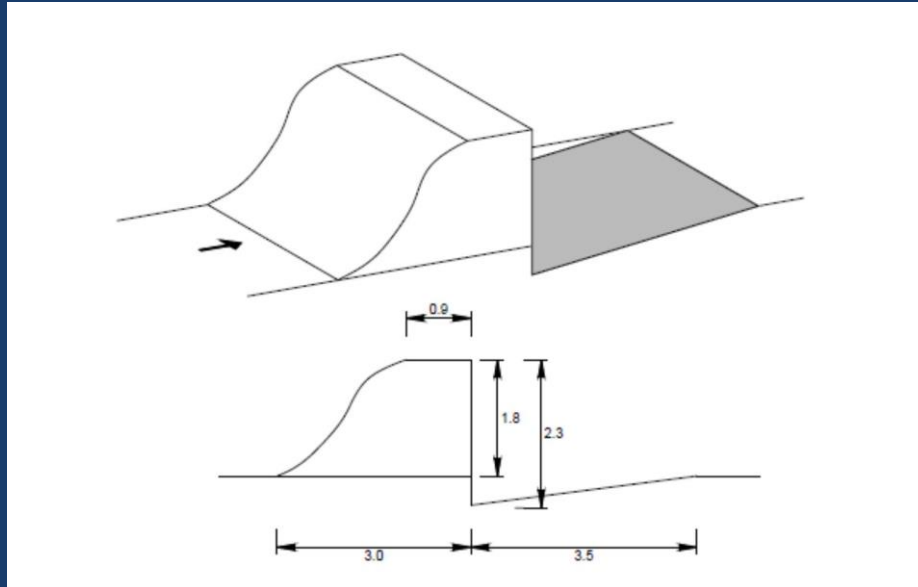
It is recommended to expand the firm surface of the lanes on both sides of the obstacle (passage) to enable unhindered passing for female competitors.

CROSSING :

Free style passing over all beams.



OBSTACLE NR 13 - BANQUETTE & PIT



CHARACTERISTICS :

Height of embarkment

1.8 m

Depth of pit

0.5 m

Length of pit

3.5 m

Width of the flat top

0.9 m

Length of the embarkment

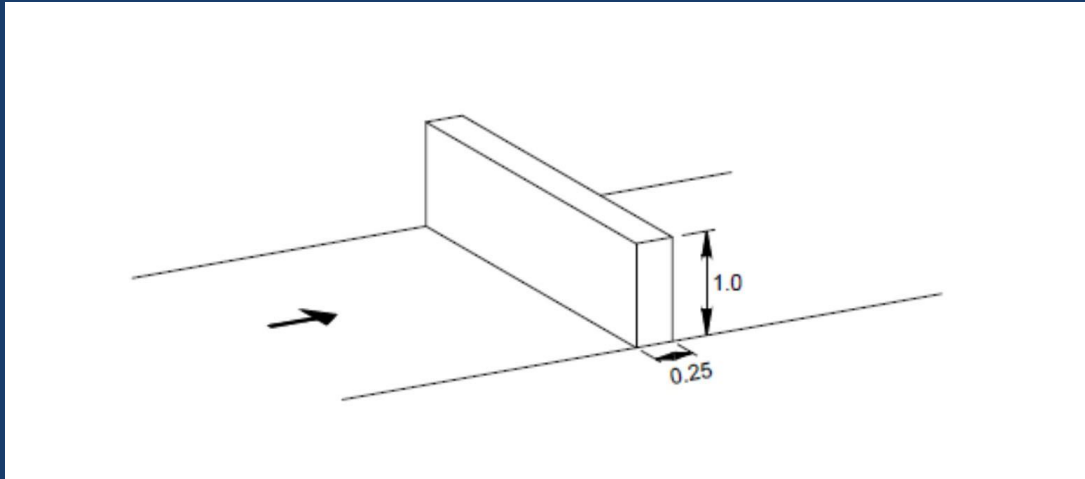
3.0 m

CROSSING :

Free style crossing.



OBSTACLE NR 14 - ASSAULT WALL



CHARACTERISTICS :

Height (upper edge)
Width

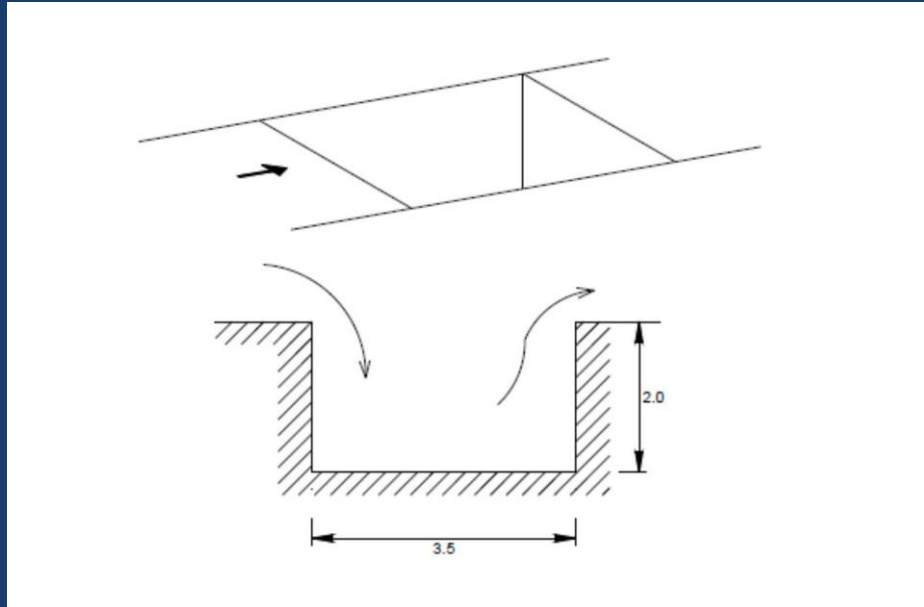
1.0 m
0.25 m

CROSSING :

Free style crossing.



OBSTACLE NR 15 - PIT



CHARACTERISTICS :

Depth 2.0 m

Length 3.5 m

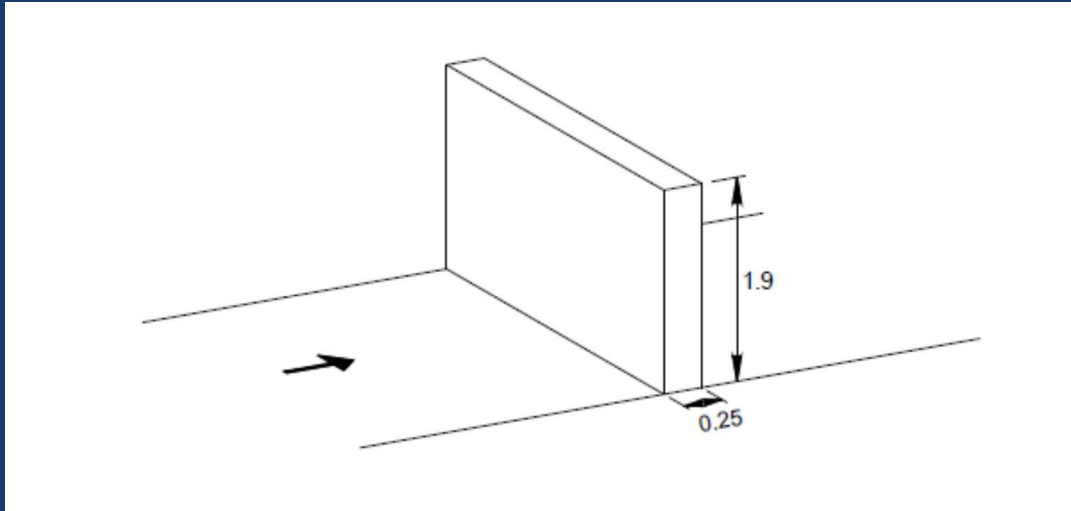
The parapets of the pit have to be vertical. The track at the end of the pit in running direction has to be horizontal and must not give aid to the competitor when climbing out of the pit (i.e. giving extra grip on it). For competitions the ground in the pit should be of hard surface.

CROSSING :

Jump into the pit, and then climb the front parapet, without using the angles and the sides when going into or out of the pit.



OBSTACLE NR 17 - ASSAULT WALL II



CHARACTERISTICS :

Height (upper edge)
Width

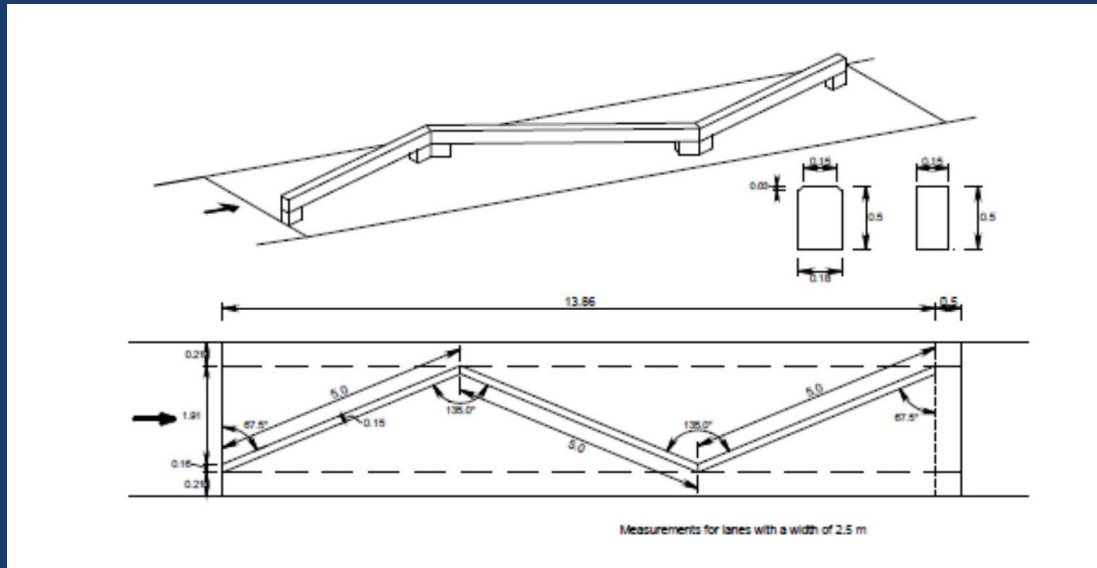
1.9 m
0.25 m

CROSSING :

Free style crossing.



OBSTACLE NR 18 - BALANCE BEAM (ZIGZAG)



CHARACTERISTICS :

Three horizontal beams fixed obliquely to one another.

Total length	14.36 m
Angle between the beams	135°
Angle of the first beam with the limiting line at the beginning of the obstacle	67.5°
Length of each beam	5.0 m
Height of horizontal beam (upper edge)	0.5 m
Width of the highest part of the flat beams	10 – 15 cm

Two limiting lines (width 5 cm) are part of the obstacle. The first line is placed at the beginning of the obstacle (0 – 5 cm), the other 45 – 50 cm beyond the end of the third beam.

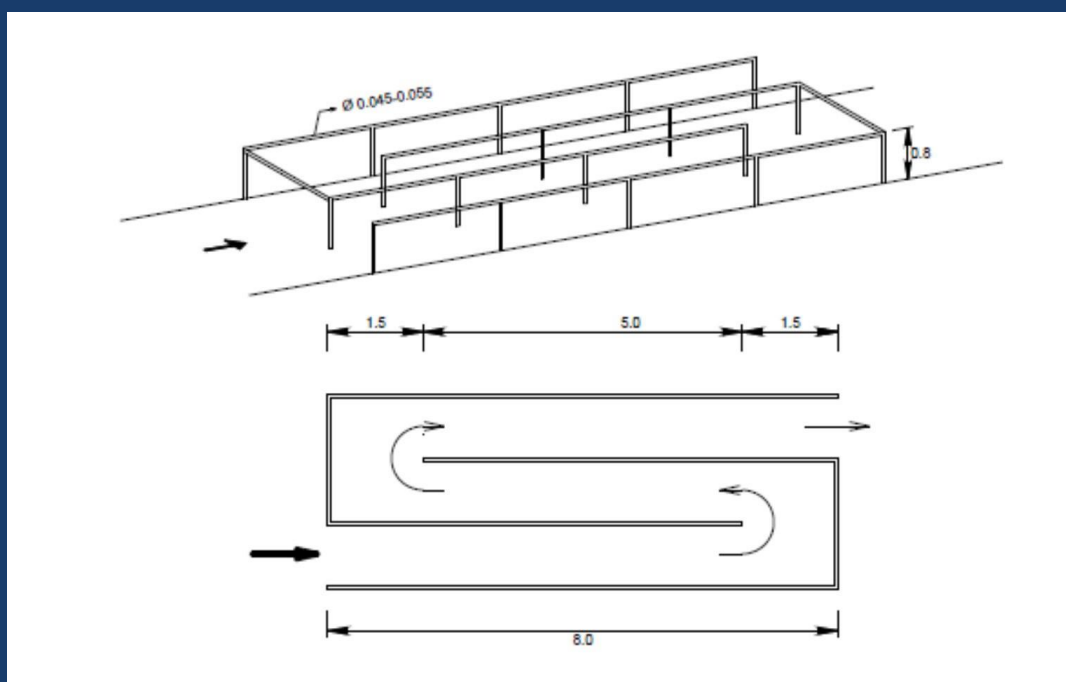
If lanes with a width of less than 2.5m are used, the obstacle will expand beyond the track. However, the distance between the edge of the track or lane lines at the beginning and at the end of the obstacle must be 20 cm in any case.

CROSSING :

Mount the beam ahead of the first line. Cross it lengthwise. At the far end jump to the ground beyond the limiting line. Between the two lines, loss of balance resulting in contact with the ground is considered a fault. The competitor must recommence in front of the line, marking the beginning of the obstacle.



OBSTACLE NR 19 - CHICANE



CHARACTERISTICS :

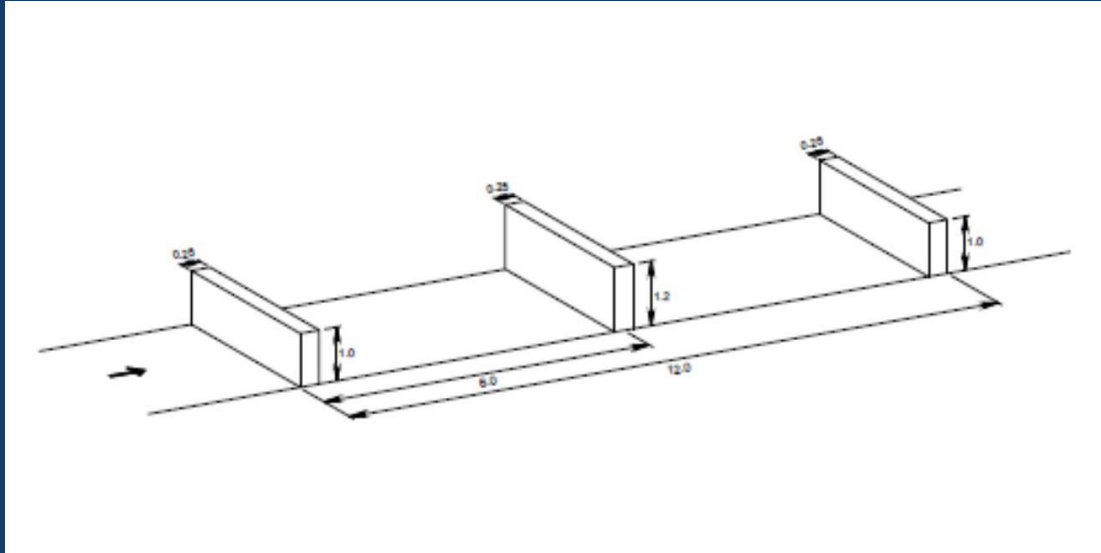
Length	8.0 m
Height of railing	0.8 m
Diameter of railing	4.5 - 5.5 cm

CROSSING :

Run through the chicane. The railing or the uprights may be used for support.



OBSTACLE NR 20 - 3 ASSAULT WALLS



CHARACTERISTICS :

Height of 1st wall (upper edge)	1.0 m
Height of 2nd wall (upper edge)	1.2 m
Height of 3rd wall	1.0 m
Width of walls	0.25 – 0.35 m
Total length from the beginning of the first wall to the end of the third wall	12.0 m
Distance from the beginning of the first wall to the center of the second wall	6.0 m

CROSSING :

Walls to be crossed at the competitor's choice provided that the three walls are surmounted.



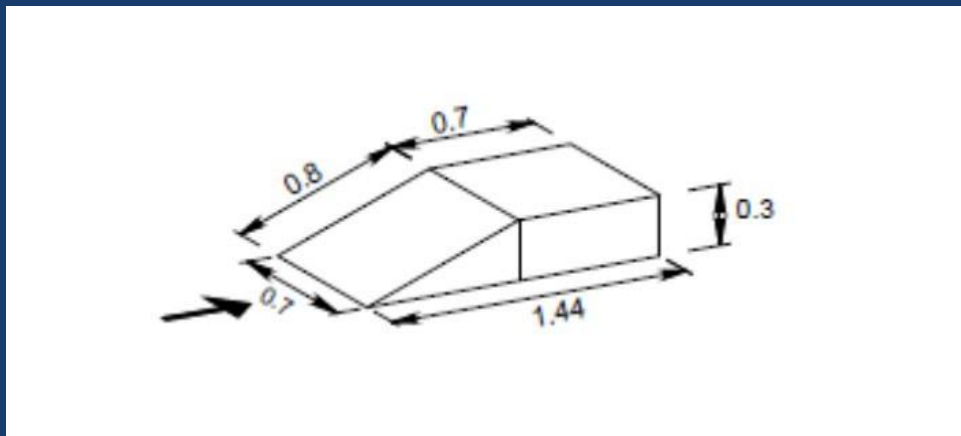
REGULATIONS FOR FEMALE

Regulations for female competitors in obstacle course

The regulations for female competitors are the same for male competitors with the following specifications:

- Obstacle nr 12 will not be negotiated
- Obstacles must be passed in the shortest possible way. The passages are supposed to be identical on both side. If three (3) lanes are available only the outer lanes are used
- Surmounting of the following obstacles is aided by removable boxes: one for each lane and obstacles 10, 15 and 17
- Boxes are part of the track and must not be removed when female competitors are running. A competitor has the choice not to use the boxes

Dimensions of the boxes:



OBSTACLE RUN EVENT SCORING TABLE

X being the average of the top five of the results in the event, rounded up to next full second.

1/10 sec = 2 points

OBSTACLE RUN POINTS TABLE	
TIME	POINTS
X - 10	1250
X - 9	1230
X - 8	1210
X - 7	1190
X - 6	1170
X - 5	1150
X - 4	1130
X - 3	1110
X - 2	1090
X - 1	1070
X	1050
X + 1	1030
X + 2	1010
X + 3	990
X + 4	970
X + 5	950
X + 6	930
X + 7	910
X + 8	890
X + 9	870
X + 10	850
X + 11	830
X + 12	810
X + 13	790

OBSTACLE RUN POINTS TABLE	
TIME	POINTS
X + 14	770
X + 15	750
X + 16	730
X + 17	710
X + 18	690
X + 19	670
X + 20	650
X + 21	630
X + 22	610
X + 23	590
X + 24	570
X + 25	550
X + 26	530
X + 27	510
X + 28	490
X + 29	470
X + 30	450
X + 31	430
X + 32	410
X + 33	390
X + 34	370
X + 35	350
X + 36	330
X + 37	310

OBSTACLE RUN POINTS TABLE	
TIME	POINTS
X + 38	290
X + 39	270
X + 40	250
X + 41	230
X + 42	210
X + 43	190
X + 44	170
X + 45	150
X + 46	130
X + 47	110
X + 48	90
X + 49	70
X + 50	50
X + 51	30
X + 52	10
X + 53	
X + 54	
X + 55	
X + 56	
X + 57	
X + 58	
X + 59	
X + 60	
X + 61	

OBSTACLE RUN POINTS TABLE	
TIME	POINTS
X + 62	
X + 63	
X + 64	
X + 65	
X + 66	
X + 67	
X + 68	
X + 69	
X + 70	
X + 71	
X + 72	
X + 73	
X + 74	

ORIENTEERING EVENT SCORING TABLE

X being the average of the top five of the results in the event, rounded up to next full minute.

4 sec = 1 point

OBSTACLE POINTS TABLE	
TIME	POINTS
X - 10	1200
X - 9	1185
X - 8	1170
X - 7	1155
X - 6	1140
X - 5	1125
X - 4	1110
X - 3	1095
X - 2	1080
X - 1	1065
X	1050
X + 1	1035
X + 2	1020
X + 3	1005
X + 4	990
X + 5	975
X + 6	960
X + 7	945
X + 8	930
X + 9	915
X + 10	900
X + 11	885
X + 12	870
X + 13	855

OBSTACLE POINTS TABLE	
TIME	POINTS
X + 14	840
X + 15	825
X + 16	810
X + 17	795
X + 18	780
X + 19	765
X + 20	750
X + 21	735
X + 22	720
X + 23	705
X + 24	690
X + 25	675
X + 26	660
X + 27	645
X + 28	630
X + 29	615
X + 30	600
X + 31	585
X + 32	570
X + 33	555
X + 34	540
X + 35	525
X + 36	510
X + 37	495

OBSTACLE POINTS TABLE	
TIME	POINTS
X + 38	480
X + 39	465
X + 40	450
X + 41	435
X + 42	420
X + 43	405
X + 44	390
X + 45	375
X + 46	360
X + 47	345
X + 48	330
X + 49	315
X + 50	300
X + 51	285
X + 52	270
X + 53	255
X + 54	240
X + 55	225
X + 56	210
X + 57	195
X + 58	180
X + 59	165
X + 60	150
X + 61	135

OBSTACLE POINTS TABLE	
TIME	POINTS
X + 62	120
X + 63	105
X + 64	90
X + 65	75
X + 66	60
X + 67	45
X + 68	30
X + 69	15
X + 70	0
X + 71	
X + 72	
X + 73	
X + 74	

JURY DUTIES

Flying contest jury;

A Technical Committee/Flying is composed of the following members:

- Air Secretary, appointed by the Host Nation/competition organizer (chairman)
- Assistant Air Secretary, appointed by the Host Nation/competition organizer
- Chief of Mission of every country participating in the flying contest. (min 5 persons, can be replaced with other delegates)

The committee is entitled to take care of any problem concerning the flying contest and meets whenever called for.

The day before the contest the committee should meet to examine and approve the mission documents and to decide on the maximum time allowed for planning and preparation of the mission by the teams. (See 2.2.1)

The committee also decides which members of the committee supervise the contest at the checkpoints.

Sport contest jury;

In the Sport contest there will be a technical jury consisting of three (3) members appointed. Normally the members of the MAP CSC. The PCSC can appoint any delegate if necessary to make the jury complete. A CSC delegate that also serves as a coach is not allowed to take part in the Jury at the same time.

1. Article 3.12. TECHNICAL JURY

(CISM regulations: Procedures)

The name and the tasks given to this body can vary with each sport (see Sports Regulations).

The President of the Sport Committee appoints the President and members of the Technical Jury during the preliminary meeting from among the technicians attending the championship with a special knowledge of the appropriate sports matters and regulations.

The Technical Jury is dissolved after the official closing ceremony.

Under no circumstances may any member of the Technical Jury belong to the organizing committee.

The Technical Jury is responsible for the satisfactory progress of the competition. They ensure that the performance of the athlete is evaluated as correctly as possible. They are responsible for:

- overseeing the performance by organizer, controllers, judges, timekeepers, coaches and competitors.
- determining the results.

Prior to the competition, the Technical Jury makes sure that the equipment and sporting facilities conform to the standards required by CISM and/or International Federation regulations. They report the result of their control to the Official CISM Representative.

The Technical Jury ensures that the technical regulations are properly followed during the competition, and it rules as a first resort on all protests received.

The Technical Jury controls and ratifies the results. Its hands over all originals of the protests as well as the decisions made to the official CISM Representative for transmission to the General Secretariat. Its specific complementary duties are stated in each particular sports regulation.

Each member is entitled to one (1) vote, by ballot. In case of a tie, the President has the deciding vote.

Procedures for handling protest by the Technical Jury are as follows:

- Any protest shall be submitted to the President of the Technical Jury in writing and signed by the Chief of Mission or Team Captain within 15 minutes after the moment of protest. Each protest shall refer to the articles of these rules on which it is based.
- Each protest requires a deposit of USD/Euro 100. If the protest is refused by the Technical Jury and no appeal is made, the USD/Euro 100 will be forfeited and paid to the CISM General Secretariat.
- The Technical Jury rules as a first resort on protests received in accordance with the CISM and/or International Federation sports regulations.
- Decisions are reported in writing to the organizing committee and the Official CISM Representative.
- Decisions must be followed by the organizer.

Any findings that point to cheating or giving advantages to a specific Nation or competitor will be regarded as Unfair and can lead to disqualification of a single athlete, team or Nation from the whole Sport Contest.

2. Article 3.13. JURY OF APPEAL

(CISM regulations: Procedures)



Compositions

The Jury of Appeal is composed of:

- One (1) president who is the Official CISM Representative,
- Three (3) members who are chosen among the delegates of the participating missions, with a maximum of one per nation. If less than three CISM delegates from different nations are present at the championship, the official representative may invite the Chiefs of Mission to complete the jury, so that it comprises at least the requested three (3) members. The president and chosen members shall have different nationalities. Should there be more than the requested candidates, they are chosen by drawing of lots.

Appointment

The Jury of Appeal is appointed during the preliminary meeting. Its mission ends after the official closing of the championship.

Restrictions

The chairman of the organizing committee, the chairman of the technical section, the President of the Sport Committee and all members of the Technical Jury may not serve in the Jury of Appeal. Only Jury members attend meetings of the Jury of Appeal, plus, if necessary, interpreters appointed by the organizing nation. The President of the Sport Committee attends this meeting as a counsellor to the President of

the Jury of Appeal but without being entitled to vote. The President of the Jury of Appeal may call for hearing any person whom he believes may be helpful.

Duties

The Jury of Appeal intervenes only in the following cases:

- As a result of a written protest made by a nation dissatisfied with the decision reached by the Technical Jury.
- When summoned by the Official CISM Representative.
- Upon request of the chairman of the organizing committee, the President Sport Committee or the Chief of the host delegation.

Procedure of handling protest to the Jury of Appeal

When a Chief of Mission (or a Team Captain) considers that the Technical Jury's decision has not rendered justice to his appeal, he can submit a protest against the decision of the Technical Jury in writing to the Jury of Appeal.

This appeal shall be submitted to the President of the Jury of Appeal within two hours after the written notification of the rejection by the Technical Jury.

Each member, including the Official CISM Representative, is entitled to one (1) vote, by ballot. In case of a tie, the Official CISM Representative has the deciding vote.

RECORDS IN MAP

Only total points count as official World records certified by CISM. World records in single events are owned by CSC and updated in the regulation book.

Records are noted from 1994 on. A line will separate results when rules have been changed to affect the Event score.

MAP EVENT RECORDS

SHOOTING MEN

- Lt Peder Söderström, Sweden – 185 – 1075 – Bodö, Norway 1994
- Lt Peter Carlsson, Sweden – 193 – 1195 – Florennes, Belgium 1995
- Lt Peter Carlsson, Sweden – 194 – 1210 Luleå, Sweden 1996
- Capt Peter Carlsson, Sweden – 196 – 1240 – Istanbul, Turkey 2004

----- ed 2009

- Capt Ville Rosenlund, Finland – 172 – 1000 – Uppsala, Sweden 2009
- Dragos-Alexandru Jipa, Romania – 172 – 1000 – Uppsala, Sweden 2009
- Eduardo Utzig Silva, Brasil – 181 – 1108 – Salamanca, Spain 2010
- Eduardo Utzig Silva, Brasil – 182 – 1120 – Rio de Janeiro, Brasil 2011
- Markku Viitala, Finland – 182 – 1120 – Rio de Janeiro, Brasil 2011
- Capt Rafael Xavier, Brasil – 183 – 1132 – Trondheim, Norway 2012
- 1Lt Kim Young Gi, South Korea – 186–1168 – Mungyeong, South Korea 2015

-----2016

- Lt Eduardo Carrillo, Spain – 186 – 1140 – Wuhan, China 2019

SHOOTING WOMEN

- Cad Mayara Soares, Brasil – 162 – 880 – Trondheim, Norway 2012
- Lt Renate Evensen, Norway – 162 – 880 – Trondheim, Norway 2012
- 1Lt Anniken Erichsen, Norway – 171 – 988 – Pirassununga, Brasil 2014
- Maj Wenche Rydning, Norway – 177 – 1060 – Mungyeong, South Korea 2015

-----2016

SWIMMING MEN

- Lt Markku Viitala, Finland – 1.01.0 25m – Bodö, Norway 1994
- 2nd Lt S Kudinov, Russia – 1.00.7 – 25m – Trondheim, Norway 1997
- Lt Markku Viitala, Finland – 1.02.5 – 50m – Florennes, Belgium 1995
- Lt Jose Maria Perea, Spain – 1.02.3 – 50m – Vyskov, Czech Rep 2007

- Lt Jose Maria Perea, Spain – 1.00.5 – 50m – Tikkakoski, Finland 2008

-----2016

- Capt Dmytro Kmetiuk, Ukraine – 0.56.7 – 25m – Las Palmas, Spain 2021

SWIMMING WOMEN

- Maj Wenche Rydning, Norway – 1.14.3 – 25m – Trondheim, Norway 2012
- Maj Wenche Rydning, Norway – 1.12.4 – 25m – Mungyeong, Korea 2015
- Maj Wenche Rydning, Norway – 1.16.3 – 50m – Pirassununga, Brazil 2014

-----2016

- Sgt Maria Luengas Mengual – 1.06.8 – 25m – Las Palmas, Spain 2021

FENCING MEN

- Maj Torres San Jose, Spain – 35 – 1186 – Ronneby, Sweden 2001

-----2008

- Jiri Janecek, Czech Rep – 23 – 1210 – Tikkakoski, Finland 2008
- Jesus Ramos, Spain – 28 1210 – Trondheim, Norway 2012
- Capt Roberto Pereira, Brazil – 32 – 1217 – Mungyeong, South Korea 2015

FENCING WOMEN

- 2Lt Rebecka Haendler, Sweden – 17 – 918 – Trondheim, Norway 2012
- 1Lt Renate Evensen, Norway – 23 – 1074 – Pirassununga, Brazil 2014
- 2Lt Mayara Soares, Brazil – 20 – 1250 – Mungyeong, Korea 2015
- Haoqin He, China – 20 – 1192 – Wuhan, China 2019

BALL CONTEST MEN

- Capt Torres San Jose, Spain – 158.8 – 1076 – Bodö, Norway 1994
- Lt Moares Carlos, Brazil – 162.6 – 1152 – Florennes, Belgium 1995
- Lt Moares Carlos, Brazil – 165.0 – 1200 – Luleå, Sweden 1996
- Lt Moares Carlos, Brazil – 172.7 – 1354 – Trondheim, Norway 1997
- 1Lt Ceyhun Özer, Turkey – 173.7 – 1374 – Ronneby, Sweden 2001
- Capt Ceyhun Özer, Turkey – 177.7 – 1450 – Istanbul, Turkey 2004

-----2008

- Capt Ville Rosenlund, Finland – 53.4 + 19 – 1122 Tikkakoski, Finland 2008

-----2009

- Capt Ville Rosenlund, Finland – 52.9 + 20 – 1162 Uppsala, Sweden 2009

-----2016

BALL CONTEST WOMEN

-Lt Renate Evensen, - Norway 63,8 + 12 - 904 -
Trondheim, Norway 2012

-----2016

-Jia Wang, China - 58.5 + 14 - 1058 - Wuhan, China
2019

ESCAPE MEN

- Lt Markku Viitala, Finland - 1110 - Florennes,
Belgium 1995

-----2008

OBSTACLE RUN MEN

- NCO Daniel Badicel, Romania - 1219 - Tikkakoski,
Finland 2008

-----2012

- Narea A X Guizado, Ecuador - 1153 - Trondheim,
Norway 2012

- Cpl Xavier Pabon, Ecuador - 1201 -
Pirassununga, Brasil 2014

- -----2016

- Bangwu Ye, China - 1198 - Wuhan, China 2019

OBSTACLE RUN WOMEN

- Maj Wenche Rydning, Norway - 1042 - Trondheim,
Norway 2012

- PIC Laura Quinteros, Ecuador - 1159 -
Pirassununga, Brasil 2014

- -----2016

- Jia Wang, China - 1226 - Wuhan, China 2019

ORIENTEERING MEN

- Capt Mikko Honkasalo, Finland - 1215 - Tikkakoski,
Finland 2008

- Capt Ville Rosenlund, Finland - 1265 -
Salamanca, Spain 2010

-----2012

- Capt Magnus Norlander, Sweden - 1105 -
Trondheim, Norway 2012

- Capt Joel Belo, Brazil - 1153 - Pirassununga,
Brazil 2014

- 1 Lt Lauri Lappalainen, Finland - 1312 -
Mungyeong, South Korea 2015

-----2016

ORIENTEERING MEN

- Ane-Thea Kristoffersen, Norway - 1117 -
Trondheim, Norway 2012

- 1 Lt Renate Evensen, Norway - 1188 -
Mungyeong, South Korea 2015

- -----2016

CISM WORLD RECORDS

TOTAL INDIVIDUAL COMPETITION MEN

- Lt Peder Söderström, Sweden – 4687 – Bodö, Norway 1994

- Capt Cuenca-Romero, Spain – 5074 – Luleå, Sweden 1996

- Ceyhun Özer, Turkey – 5134 – Istanbul, Turkey 2004

-----ed 2008

- Capt Mikko Honkasalo, Finland – 5279 – Tikkakoski,
Finland 2008

-----ed 2009

- Capt Ville Rosenlund, Finland – 5231 – Uppsala, Sweden 2009

- Capt Ville Rosenlund, Finland – 5350 – Salamanca, Spain 2010

-----ed 2012

- Maj Eduardo Utzig, Brasil – 4951 – Trondheim, Norway 2012

- Maj Eduardo Utzig, Brasil – 5094 – Pirassununga, Brazil 2014

-----ed 2019

- Rui Li, China – 5322 – Wuhan, China 2019

- Capt Dmytro Kmetiuk, Ukraine – 5561 – Tikkakoski,
Finland 2022

TOTAL INDIVIDUAL COMPETITION WOMEN

- 1Lt Renate Evensen, Norway – 4456 – Trondheim, Norway
2012

- 1Lt Renate Evensen, Norway – 4914 – Pirassununga, Brazil
2014

- 1Lt Renate Evensen, Norway – 5040 – Mungyeong, Korea
2015

-----ed 2019

- Haoqin He, China 5627 – Wuhan, China 2019

TOTAL TEAM POINTS MEN

Sweden 13.342 - Bodö, Norway 1994

- Lt Peder Söderström, 2Lt Peter Carlsson, Lt Anders
Eriksson, Capt Urban Bladh

Spain 13.342 Florennes, Belgium 1995

- Capt Oton Carillo, Capt Torres San Jose, Capt Elices, Lt
Cuenca-Romero

Spain - 14.478 - Luleå, Sweden 1996

- Capt Cuenca-Romero, Capt Torres San Jose, Capt Oton,
Capt Carillo Elices

Finland - 15.541 - Tikkakoski, Finland 2008

- Capt Ville Rosenlund, Capt Mikko Honkasalo,
Capt Matti Pulli, Cad Ville Ojell

-----ed 2008

Finland - 15.541 - Tikkakoski, Finland 2008

- Capt Ville Rosenlund, Capt Mikko Honkasalo, Capt Matti Pulli,
Cad Ville Ojell

-----ed 2009

Finland - 14.978 - Uppsala, Sweden 2009

Capt Ville Rosenlund, Capt Mikko Honkasalo, Capt Matti Pulli,
Cad Ville Ojell

Finland - 15.214 - Salamanca, Spain 2010

Capt Ville Rosenlund, Capt Mikko Honkasalo, Capt Matti Pulli,
Capt Teemu Elonen

Brazil - 15.421 - Rio de Janeiro, Brasil 2011

Maj Paulo Porto, Maj Eduardo Utzig, Capt Rafael Xavier, Lt André
Kuroswiski

-----ed 2012

Norway - 14.361 - Trondheim, Norway 2012

Maj Björn Sävik, 1Lt Frank Sandberg, 1Lt Sveinung Rösok, 1Lt
Magnus Lorentzen

Brasil - 14.684 - Pirassununga, Brazil 2014

Maj Eduardo Utzig, Capt Andre Kuroswiski, Capt Joel Belo, 1Lt
Eduardo Duque

China – 15.781 – Wuhan, China 2019

Pvt Xu Wenfan, Cpl Li Minghao, Cpl Li Rui, Capt Ye Bangwu

TOTAL TEAM POINTS WOMEN

Norway - 8.839 - Trondheim, Norway 2012

1Lt Renate Evensen, Maj Wenche Rydning, 1Lt Ane-Thea Kristoffersen

Norway – 9.052 – Pirassununga, Brasil 2014

1Lt Renate Evensen, Maj Wenche Rydning, 1 Lt Anniken Erichsen

Norway – 9.380 - Mungyeong, Korea 2015

1Lt Renate Evensen, Maj Wenche Rydning

-----ed 2019

China – 15.781 – Wuhan, China 2019

Haoqin He, Xin Cheng, Jia Wang

TROPHY WINNERS

FLIGHT CONTEST TROPHY

- 2019 – Liao Weihua, CHN
- 2015 – Capt Pavel Pavlik, CZE
- 2014 – Capt Mikko Honkasalo, FIN
- 2012 – Capt Magnus Nordlander, SWE
- 2011 – Alexis Palacios, ECU
- 2010 – Lt Pavel Pavlik, CZE
- 2009 – Capt Matti Pulli, FIN
- 2008 – Lt Caca De Las Heras, ESP
- 2006 – 1Lt Daniel Asenov, SWE
- 2003 – BEL
- 2002
- 2001 – 1Lt Mattias Ottis, SWE
- 2000 – SWE

MAP TROPHY

- 2022 – UKR, Capt Dmytro Kmetiuk, Mykhailo Bezuhlyi, Vadym Rud, Dmytro Yerema
- 2021 – ESP, Capt Carillo Martinez–Osorio Eduardo, Sgt Rodriguez Sanchez Victor, Brig Arrese Revuelto David, Cte Perez Valderas Francisco Javier
- 2019 – CHN, Corporal (Cpt) He Haeoqin, Private (PVT.) Cheng Xin, Corporal (Cpt.) Wang Jia
- 2015 – BRA, Capt Roberto Pereira, 1Lt Frederico Brito, Cad Ariel Kaczmark, Capt Joel Belo
- 2014 – BRA, Maj Eduardo Utzig, Capt Andre Kuroswiski, Capt Joel Belo, 1Lt Eduardo Duque
- 2012 – NOR, Maj Björn Saevik, 1Lt Frank Sandberg, 1Lt Sveinung Roesok, 1Lt Magnus Lorentzen
- 2011 – BRA, Maj Paulo Porto, Maj Eduardo Utzig, Capt Rafael Xavier, Lt André Kuroswiski
- 2010 – FIN, Capt Ville Rosenlund, Capt Mikko Honkasalo, Capt Matti Pulli, Capt Teemu Elonen
- 2009 – FIN, Capt Ville Rosenlund, Capt Mikko Honkasalo, Capt Matti Pulli, Cad Ville Ojell
- 2008 – FIN, Capt Mikko Honkasalo, Capt Ville Rosenlund, Capt Matti Pulli, SnLt Teemu Elonen
- 2007 – FIN, Capt Mikko Honkasalo, Capt Ville Rosenlund, Capt Matti Pulli Lt Marku Vihersalo
- 2006 – BRA, Lt Col Carlos Leite Capt Paulo Porto, Lt Col Marko Scherer, Lt Eduardo Utzig
- 2004 – TUR, Capt Ceyhun Özer, CAD Kundakci, CAD Yapakci, CAD Bayram

- 2003 – ESP, CTE Fernando Torres, Capt Enrique Cuenca, Capt Ramos, TTE Lopez Lago
- 2002 – SWE, Capt Niklas Isaksson, Capt Peter Carlsson, Capt Jonas Rohlén, Capt Mattias Larsson
- 2001 – SWE, Capt Niklas Isaksson, Capt Peter Carlsson, Capt Jonas Rohlén, Capt Mattias Larsson
- 2000 – SWE, Capt Peter Carlsson, Lt Niklas Isaksson, Lt Mattias Larsson, Lt Ted Nilsson
- 1999 – ESP, Capt Fernando Torres, Capt Enrique Cuenca, Cte Espresati, Cte Xavier Oton
- 1998 – SWE, Capt Peter Carlsson, Lt Jonas Rohlén, Lt Niklas Isaksson, Capt Anders Eriksson
- 1997 – FIN, Maj Markku Viitala, Capt Timo Antilla, Capt Pasi Matero, Slt Ansi Voulle
- 1996 – ESP, Capt Cuenca–Romero, Capt Torres San Jose, Capt Oton Carillo, Capt Elices
- 1995 – ESP, Capt Oton Carillo, Capt Torres San Jose, Capt Elices, Lt Cuenca–Romero
- 1994 – SWE, Lt Peder Söderström, 2Lt Peter Carlsson, Lt Anders Eriksson, Capt Urban Bladh
- 1993 – FIN, Capt Viitala, Marku, Slt Matero Pasi, CAD Voulle Ansi, Capt Antila Timo
- 1991 – BRA, Ten Waldir, Ten Leonidas, Ten Diogenes, Capt Guasti
- 1990 – SWE, Kn Rosen Hans, Fk Söderström Peder, Fk Carlsson Peter, Lt Bladh Urban
- 1989 – BRA, Capt Guasti, Capt Vanazzi, Lt Leonidas, Maj Kaufmann
- 1988 – SWE, Rosen Hans, Olsson Christer, Svensson Ulf, Bladh Urban
- 1987 – ESP, Capt Espresati, Tte Oton Xavier, Cte Luengo
- 1986 – SWE, Maj Pettersson Lennart, Lt Wiberg Ola, Sg Rosen Hans, Olsson Christer
- 1985 – SWE, Maj Pettersson Lennart, CAD Rosen Hans, Trotsman, Lt Wiberg Ola
- 1984 – ESP, Capt Plaza, Capt Luengo, Capt Mora, Capt Abad
- 1983 – SWE, Maj Pettersson Lennart, Kn Larsson Göran, Kn S.O Karlsson, Lindberg Per

TROPHY WINNERS

- 1981 – SWE, Kn Pettersson Lennart, Kn Larsson Göran, Kn S.O Karlsson

- 1980 – ESP, Capt Luengo, Lt Plaza, Capt Mora

- 1979 – SWE, Kn Kersmark Bertil, Kn S.O Karlsson, Kn Larsson Göran

- 1978 – SWE, Lt Pettersson Lennart, Lt Larsson Göran, Mj Jonsberg Gunnar, Kn Kersmark Bertil

- 1977 – SWE, Lt Pettersson Lennart, Lt Larsson Göran, Kn S.O Karlsson, Kersmark Bertil

- 1976 – SWE, Pettersson Lennart, Larsson Göran, Jonsberg Gunnar, Sunell

- 1975 – TUR, Göngör, Yesilimak, Öztopcu, Önlö

- 1973 – SWE, Pettersson Lennart, Carlsson O, Jonsberg, Bandholtz

- 1972 – NOR, Andersson H, Pettersson Lennart, Karlsson O, Bandholtz

- 1971 – SWE, Bandholtz, Pettersson L, Jonsberg, Karlsson O

- 1970 – SWE, Andersson H, Bandholtz, Gustavsson, Karlsson O

- 1959 – SWE, Lt O Glemin, St L Olsson, St B-A Andersson B-Ö, Skoghagen

- 1958 – SWE, Lt Avi P.O Nilsson, Mr Avi Lampell Sven, Lt Avi N.E Wahrolen, Björklund

- 1956 – SWE, Lt Avi. P.O Nilsson, Lt Avi. N.Benker, S/LI S.Glemin

- 1955 – SWE, Lt Avi. P.O Nilsson, Lt Avi. N.Benker, S/LI S.Glemin

- 1954 – SWE, Cne S. Lampell, Cne Avi J.O.Af Umr; Lt Avi. P.O.Nilsson, Lt Avi. N. Benker

- 1952 – BEL, Cne Avi Bodart SGT Avi Ossieve

- 1951 – FRA, Cne Emery, Cdt Blanchet

- 1950 – NET, MAJ Bakker, Cne Meulkens

- 1949 – GBR, SO/LR PODEVINE, FL/LT LUMISDAINE

- 1948 – FRA, Cne Rey, Lt Letellier

WOMENS MAP CHALLENGE CUP TROPHY

- 2022 – BRA – Sgt Ellen Caroline de Souza, Capt Mayara Soares da Silva, 1Lt Andressa Midori Nishigawa Silva

- 2021 – RUS – Cpl Ivleva Ekaterina, Cpl Utina Ekaterina, Lt Petrova Anastasia

- 2019 – CHN – Li Rui, Ye Bangwu, Xu Wenfan, Li Minghao

- 2015 – NOR, 1Lt Renate Evensen, Maj Wenche Rydning, 1Lt Idunn Assev

- 2014 – NOR, 1Lt Renate Evensen, Maj Wenche Rydning, 1Lt Anniken Erichsen

- 2012 – NOR, 1Lt Renate Evensen, Maj Wenche Rydning, 1Lt Ane-Thea Kristoffersen

ROOKIE OF THE YEAR AWARD TROPHY

- 2022 – Cadet Thiago Goulart Gomes Oliveira, Brazil

- 2021 – Cpl Ivleva Ekaterina, Russia

- 2015 – 1Lt Lauri Lappalainen, Finland

- 2014 – Capt Joel Eloi Belo Júnior, Brazil

FORMS (EVENT START ORDER FORM) (EXAMPLE)

EVENT START ORDER FORM.

(TO BE HANDED TO ORGANIZER NO LATER THAN 15.00 DAY BEFORE EACH EVENT)

EVENT :			NATION :		
Start	RANK	Competitor	Start No (given)	Swim. Time (Personal Best)	Ball course (check if left-hand-turn)
1					<input type="radio"/>
2					<input type="radio"/>
3					<input type="radio"/>
4					<input type="radio"/>

Signature: (CoM, Team captain or coach)

FORMS (COMPOSITION OF MISSION) (EXAMPLE)

Please inform the organizing committee of the athletes eligible to participate in the "Rookie of the Year" competition.

COUNTRY :		
MISSION	RANK	NAME
CHIEF OF MISSION		
TEAM CAPTAIN		
COACH		

MALE TEAM	RANK	NAME	Participated in WC nr of times.	Air nav. education?	Rookie award eligible?
COMPETITOR					
COMPETITOR					
COMPETITOR					
RESERVE					

FEMALE TEAM	RANK	NAME	Participated in WC nr of times.	Air nav. education?	Rookie award eligible?
COMPETITOR					
COMPETITOR					
COMPETITOR					
RESERVE					

ADDITIONAL PERSONNELL (CSC MEMBERS AND OTHERS)		

Signature: _____

Chief of Mission

FORMS (TIME TABLE FORM) (EXAMPLE)

FLIGHT CONTEST TIME TABLE FORM

NATION :	Navigator :	Pilot :
T/O Time (ORG)		
CP1 Time (CREW)		
CP2 Time (CREW)		
CP3 TIME (ORG)		
Preparation TIME Start (ORG)	HAND-OVER TIME (ORG)	
Org Sign	Navigator Sign	

REGULATION CHANGE HISTORY (STARTING 2015)

YEAR	NR	CHANGE
2016	2.2.4	Added Time Hack and Master Time Reference
	2.2.5	Added text about Timetable Form
	2.2.7	Added info about penalty for late Hand-over of Timetable Form
	3.6	Text about training
	4.1.1	Added text about weapon and equipment test and checking
	4.3.1	Changed text about Start Number and printed name on fencing jacket
	4.3.2	Clarifying text about competitor injury in fencing
	4.4.1	Change text about center hurdles in Ball Event
	4.4.2.1	Change text about center hurdles in Ball Event
	4.4.5	Change text about center hurdles in Ball Event including penalty
	4.6.3	Added info about wrong map procedure in Orienteering Event
	AP2	New Scoring tables
	AP3	New Scoring tables
	AP5	New Scoring tables
	AP6	New Scoring tables
	AP7	New Scoring tables
	AP9	Update of records
	AP10	Added DRAFT for Flight Contest TIMETABLE FORM

REGULATIONS CHANGE HISTORY

YEAR	NR	CHANGE
2022	1.5	seven (7) competitors named in the Composition of Mission Form in Appendix 10
	1.6	Participants for the flying contest will be chosen (by drawing of lots by the PCSC) from each nation's team/s including the confirmed reserve/s.
	1.7.4	The trophy must be engraved and maintained to full standard before handed over to next organizer.
	1.9	The Organizer must follow CISM regulations to make sure all competitors have the same conditions to perform during the entire Championship (same lodging, food, transport and training for all).
	1.9	The Organizer will during the Championship set up a service point.
	1.9	The Organizer must prepare for the PCSC inspection of the orienteering courses upon his arrival (or the person he appoints to perform the check).
	1.11	The Technical Jury can divert from actual regulations and change the plans made by the organizer if necessary.
	1.12	In case an athlete has a Therapeutic Use Exemption (TUE), the Chief of Delegation should send this TUE to the CISM GS until 30 days before the Opening Ceremony. This TUE will be submitted to the TUE Commission to analysis and further approval."
	2.1	...the seven named competitors ... (according to 1.5)
	2.1	The Pilots will be appointed by drawing of lots. (according to 1.6)
	2.1	At least two (2), maximum four (4), competitors from each Nation may participate in the preparation of the flight.
	2.1	Organizer should prepare an area for all missions where they can follow the Flight Contest (in real-time if possible)
	2.2.2	Every country name which of its participants (2) that can take part in the flying contest.
	2.2.8	Before entering the aircraft both the aircraft and crew will be inspected by a Supervisor from the Technical Jury.
	2.2.11	After engine shutdown at the apron, the aircraft and crew will be inspected again and also they must handover all mission documents to the Technical Jury
	2.2.12	Any use of unauthorized equipment by a crew will lead to disqualification
	3.2	The organizer provides a simple form for each event to filled out and handed back by each Nation at the stated time (or earlier).
	4.2.1	The Warm-up area is open to competitors and other members of each delegation.
	4.3.1	food and beverages MUST be served without interrupting fencing.
	4.3.1	...compete on two or more pistes at the same time (to reduce the total fencing time).
	4.6.4	The area where the tracks are set should be closed for all other people except for officials and Jury.
	AP8	Chief of Mission of every country participating in the flying contest. (min 5 persons, can be replaced with other delegates)
	AP8	The Technical Jury is responsible for ... overseeing the performance by organizer, controllers, judges, timekeepers, coaches and competitors.
	AP8	- Decisions must be followed the organizer.
	AP8	Any findings that point to cheating or giving advantages to a specific Nation or competitor will be regarded as Unfair and can lead to disqualification of a single athlete, team or Nation from the whole Sport Contest.

CISM President:

Colonel Nilton Gomes ROLIM Filho (BRA)

CISM Secretary General:

Navy Captain Roberto RECCHIA (ITA)

President of CISM Aeronautical Pentathlon:

Colonel Eduardo UTZIG Silva (BRA)

Secretary of CISM Aeronautical Pentathlon Committee:

Major Bjorn SAEVIK (NOR)

Members:

Lieutenant Colonel Francisco ELIAS Entrialgo(ESP)

Lieutenant Colonel Ville ROSENLUND (FIN)

Major JOMAR Matos Souza Júnior (BRA)

Captain Augusto Xavier GUIZADO Narea (ECU)

CISM Sports Director:

Lieutenant Colonel Jan VAN DEN DOOL (NED)

CISM Media and Communication Director:

Mr. David VANDENPLAS (BEL)